



3+



12



2,9m



1 = 5,42m 2 = 3,28m 3 = 3,8m



## Play value

sliding



x1

climbing



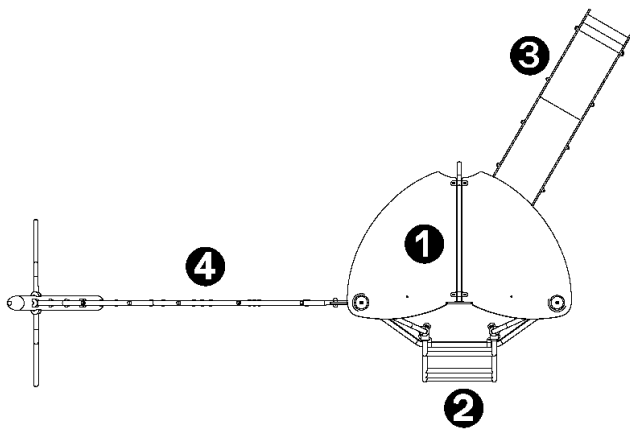
x2

meeting / role  
play



x1

Number of play elements: 4

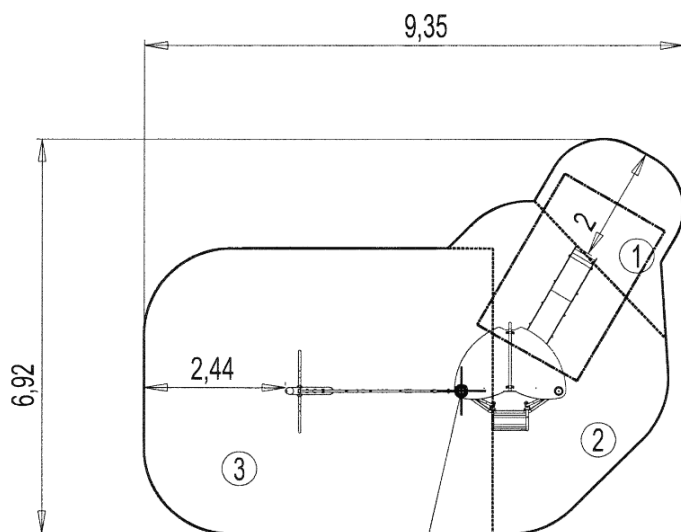


- ❶ Compact platform - 3 posts HT: 1.17m - G45200
- ❷ Ladder HT: 1.17m - G45402
- ❸ Stainless steel slide HT: 1.17m - G45600
- ❹ Arched net - G45703

## Installation of equipment

Impact area =

-  Impact area
-  Free space



0 Point de Référence  
Setting Out Point  
Punto de referencia  
Bezugspunkt  
Referentiepunt



1	1m	5m <sup>2</sup>
2	1,17m	13m <sup>2</sup>
3	2,9m	30m <sup>2</sup>



2



09h00



0.4m<sup>3</sup>



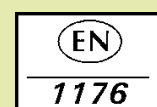
48m<sup>2</sup>



336kg



31kg



*Proludic*

2013-01-04