



2+



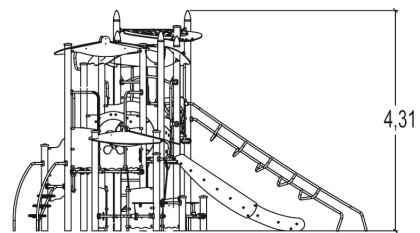
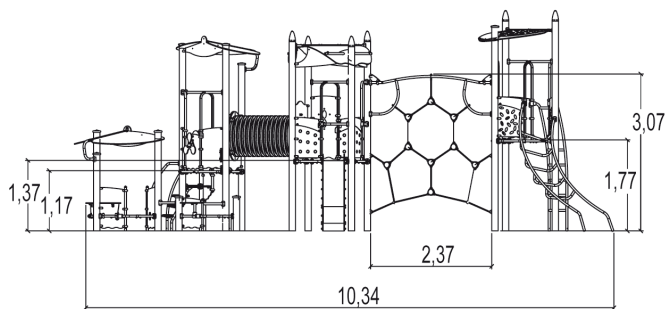
35



3m



1 = 11m 2 = 5m 3 = 4,4m



Play value

sliding



x2

handling



x3

climbing



x3

getting across



x1

meeting / role play



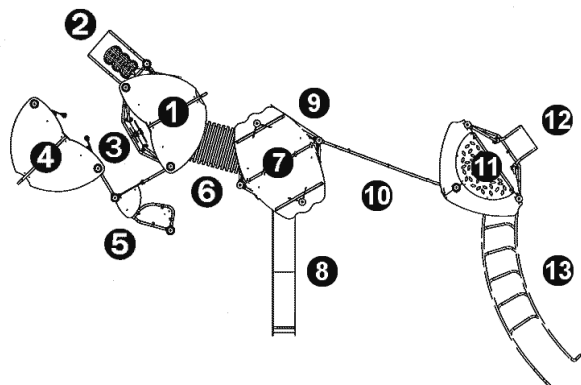
x3

hiding / resting



x1

Number of play elements: 13

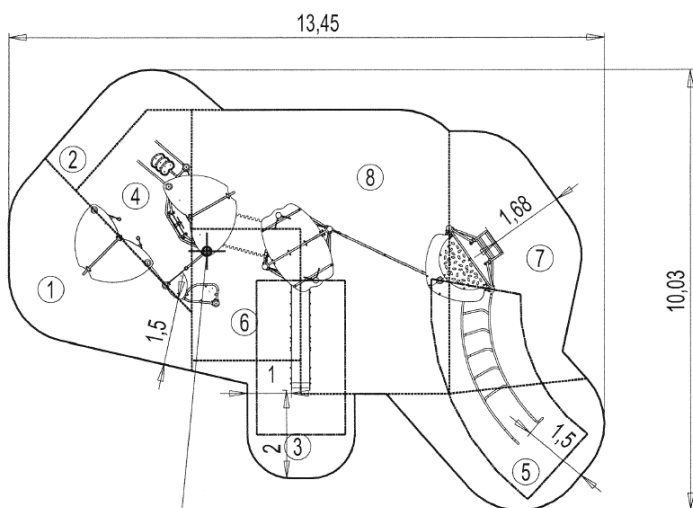


- ① Compact platform - 3 posts HT: 1.17m - G45201A
- ② Steps - 2 years old - G45418A
- ③ Jet Plane Play Panel - G45819
- ④ Playhouse - G275A
- ⑤ Play space - G277A
- ⑥ Tunnel - G45511
- ⑦ Stainless steel Platform - 4 posts HT: 1.37m - G45131A
- ⑧ Stainless steel slide HT: 1.37m - G45601A
- ⑨ Porthole Play Panel - G45820
- ⑩ Star net - G45702
- ⑪ Aluminium platform - 3 posts HT: 1.77m - G45340A
- ⑫ Ladder HT: 1.77m - G45404A
- ⑬ The Torrent - G45803A



Installation of equipment

Impact area =

———— Impact area
 - - - - Free space



0 Point de Référence
 Setting Out Point
 Punto de referencia
 Bezugspunkt
 Referentiepunt

		
1	0,55m	11,5m ²
2	0,9m	4m ²
3	1m	6m ²
4	1,17m	7m ²
5	1,3m	10m ²
6	1,37m	7,5m ²
7	1,77m	15m ²
8	3m	28,5m ²



2



27h00



1.2m³



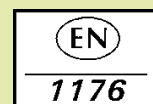
89.5m²



1164kg



48kg



Proludic

2013-01-04