



2+



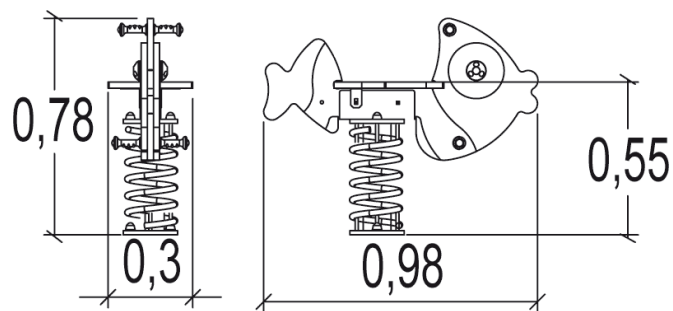
1



0,54m



1 = 0,98m 2 = 0,3m 3 = 0,77m



## Play value

swinging



balancing



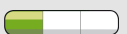
## Accessibility



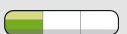
Motor disability

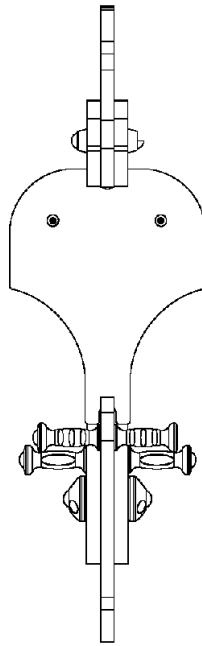


Sensorial Disabilities



Learning Disabilities

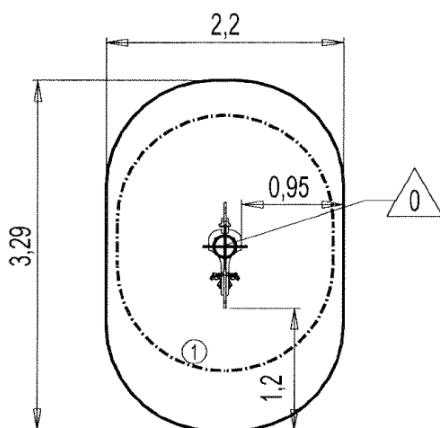






## Installation of equipment

Impact area =

-  Impact area
-  Free space



Point de Référence  
Setting Out Point  
Punto de referencia  
Bezugspunkt

		
1	0,54m	6,5m <sup>2</sup>



1



01h00



0m<sup>3</sup>



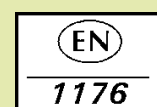
6.5m<sup>2</sup>



23kg



10kg



*Proludic*

2013-07-12