



2+



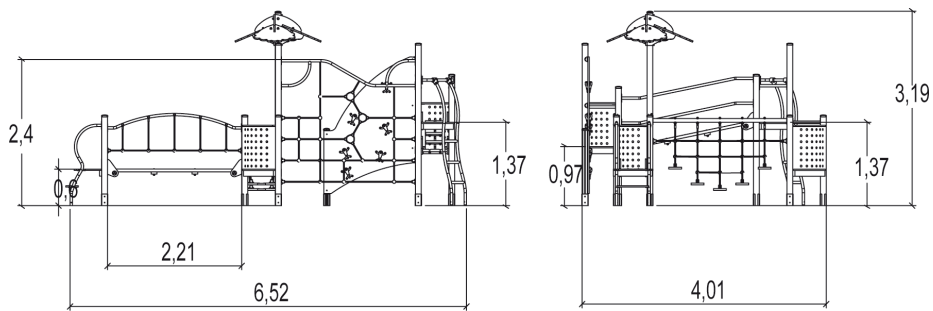
25



2,4m



1 = 6,6m 2 = 4,1m 3 = 3,2m



### Play value

climbing



x2

climbing



x2

getting across



x3

meeting / role play



x3

Number of play elements: 10

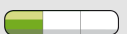
### Accessibility



Motor disability

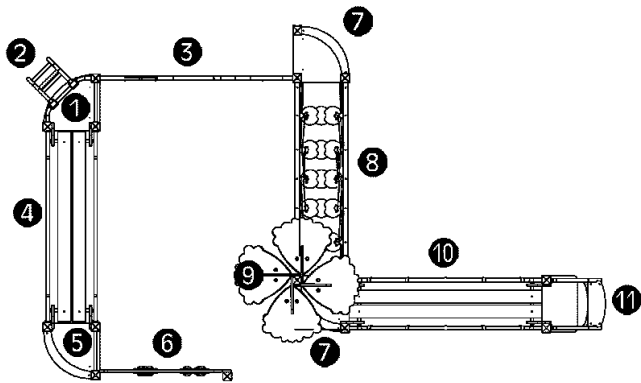


Sensorial Disabilities



Learning Disabilities



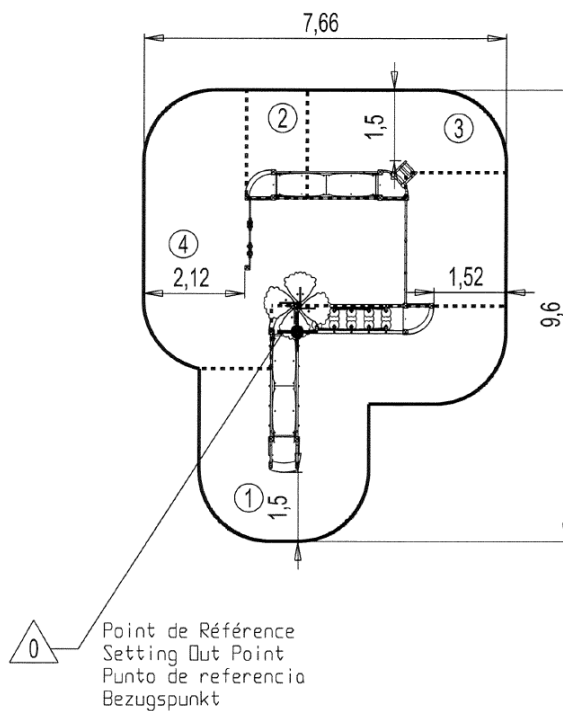


- ① Twist platform HT: 1.37m
- ② Contoured ladder HT: 1.37m - G33110
- ③ Net 1.37m L: 2.2m h 2.4m - G33139
- ④ Sloping catwalk - G33124
- ⑤ Twist platform single balcony HT: 0.97m
- ⑥ Climbing wall h: 2.4m - G33135
- ⑦ Twist platform single balcony HT: 0.6m
- ⑧ Swinging steps - G33121
- ⑨ Palm tree - G3387
- ⑩ Simple catwalk - G33123
- ⑪ 2 Step Access - G33127

## Installation of equipment

Impact area =

- Impact area
- Free space



1	0,60m	20,5m <sup>2</sup>
2	0,97m	3m <sup>2</sup>
3	1,37m	8m <sup>2</sup>
4	2,4m	26,5m <sup>2</sup>



2



23h00



0.5m<sup>3</sup>



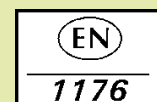
58m<sup>2</sup>



554kg



29kg



*Proludic*

2013-09-05