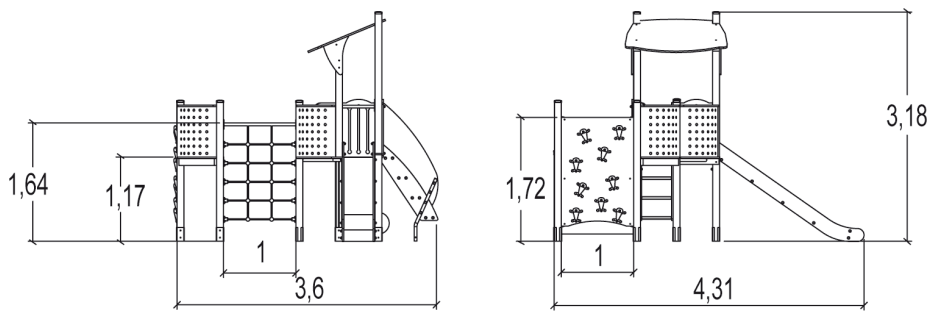
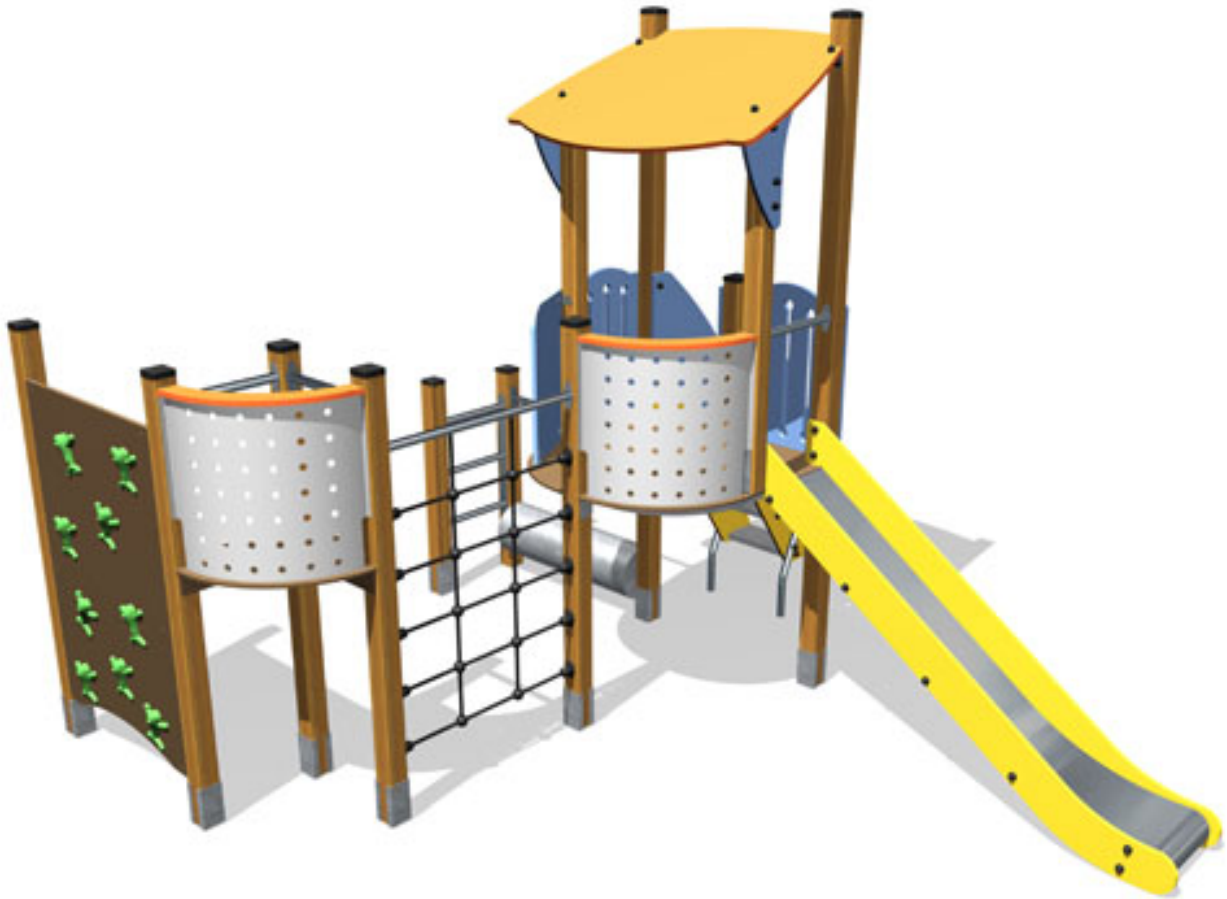







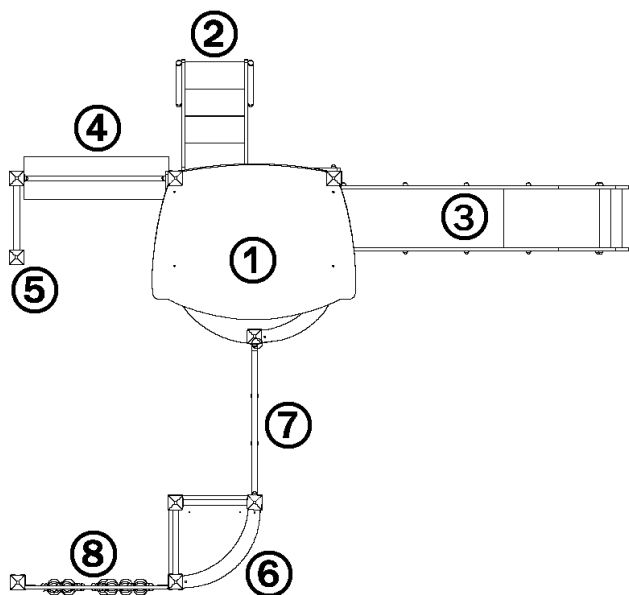
2+ | **27** | **1,7m** | **1 = 4,32m 2 = 3,65m 3 = 3,2m**



Play value

climbing	sliding	handling	climbing	meeting / role play
				
x1	x1	x1	x3	x2

Number of play elements: 8

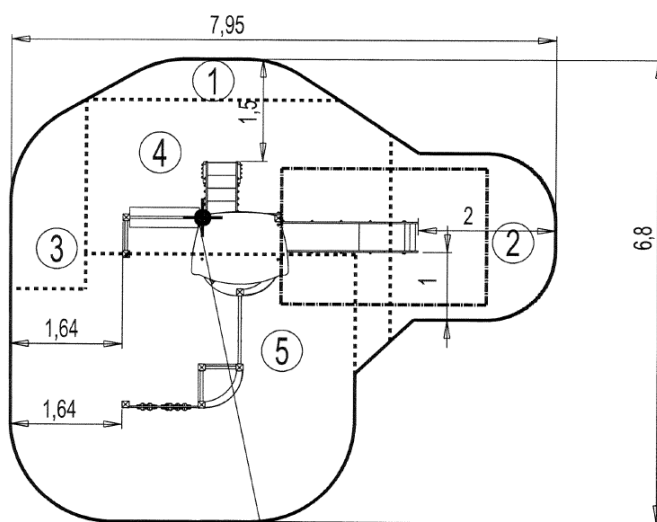


- ① Covered platform HT: 1.17m
- ② Stairs (under 36 months) - G3397
- ③ Slide - G3349
- ④ Scooter L: 1.2m l: 1.2m - G2224
- ⑤ Supporting ladder - G33136
- ⑥ Twist platform single balcony HT: 1.17m
- ⑦ Net - G2205
- ⑧ Climbing wall L1 h: 1.7m - G2231

Installation of equipment

Impact area =

- Impact area
- Free space



△ 0 Point de Référence
Setting Out Point
Punto de referencia
Bezugspunkt

1	0,60m	2m ²
2	1,00m	6m ²
3	1,02m	3m ²
4	1,17m	11m ²
5	1,7m	18,5m ²



2



15h00



0.4m³



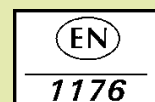
40.5m²



406kg



26kg



Proludic

2013-09-05