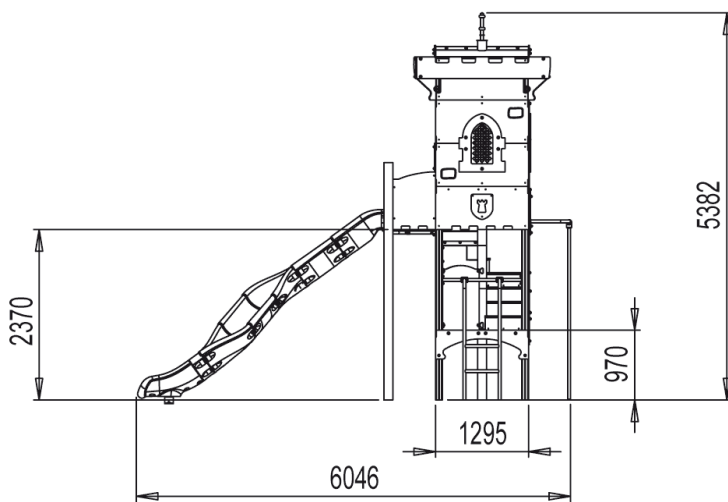




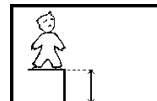
1=6m 2=2.15m 3=5.38m



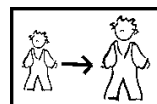
OTHER INFORMATION



15 players



HCL= 2.37m





3+

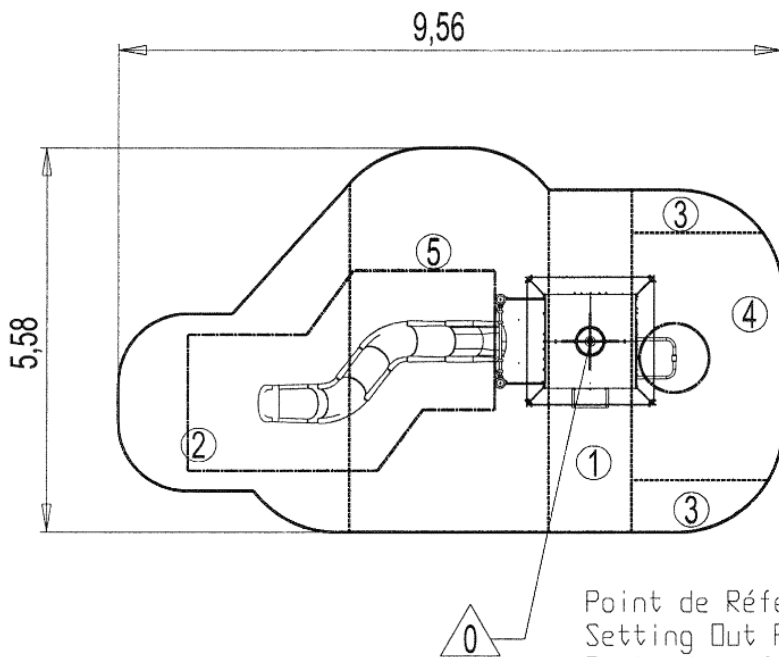
Kaal = 1059 kg

Raskeim detail = 35 kg

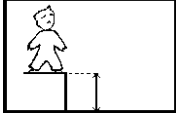
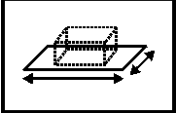
Installation of equipment

Impact area =

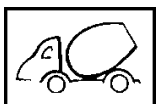
-  Impact area
-  Free space



Point de Référence
 Setting Out Point
 Punto de referencia
 Bezugspunkt

		
①	0.97m	6m ²
②	1m	10.5m ²
③	1.17m	2.5m ²
④	1.5m	8m ²
⑤	2.37m	16m ²

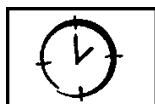
INSTALLATION



2.1m³



4



99h00

CERTIFICATIONS

