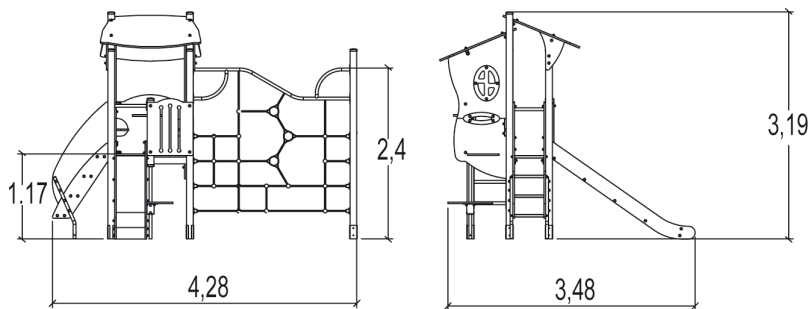






**2+** | **14** | **2,4m** | **1 = 4,4m 2 = 3,6m 3 = 3,2m**



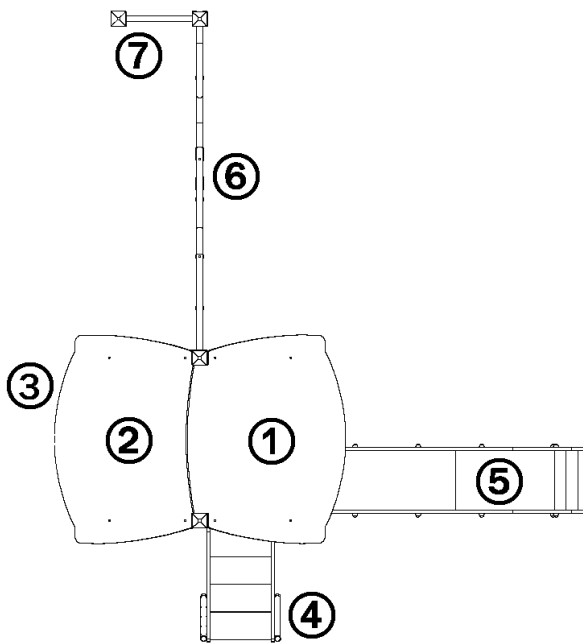
**Play value**

sliding  x1	handling  x1	climbing  x3	meeting / role play  x2
---	---	---	--

Number of play elements: 7

**Accessibility**

	Motor disability	<input checked="" type="checkbox"/>
	Sensorial Disabilities	<input type="checkbox"/>
	Learning Disabilities	<input type="checkbox"/>

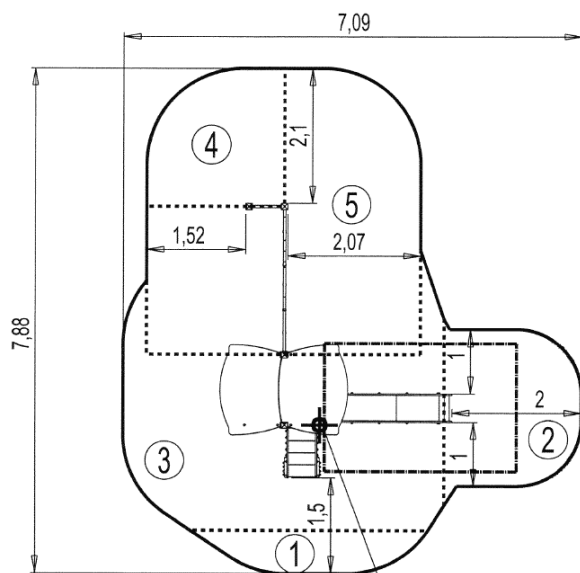


- ① Covered platform HT: 1.17m
- ② Open house - G3331
- ③ Table under platform - G3346
- ④ Stairs (under 36 months) - G3397
- ⑤ Slide - G3349
- ⑥ Net 1.37m L: 2.2m h 2.4m - G33139
- ⑦ Supporting ladder - G33136

## Installation of equipment

Impact area =

- Impact area
- Free space



Point de Référence  
Setting Out Point  
Punto de referencia  
Bezugspunkt



1	0,6m	2m <sup>2</sup>
2	1m	5m <sup>2</sup>
3	1,17m	14m <sup>2</sup>
4	1,42m	4m <sup>2</sup>
5	2,4m	14m <sup>2</sup>



2



16h00



0.3m<sup>3</sup>



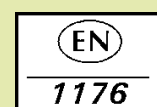
39m<sup>2</sup>



362kg



-



*Proludic*

2013-07-22