



1-3



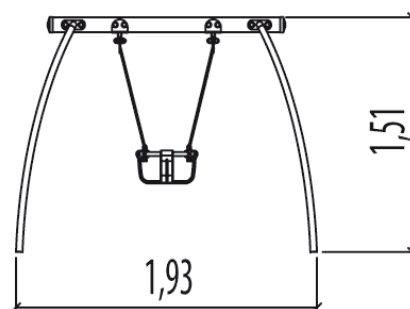
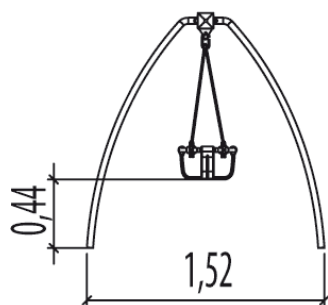
1

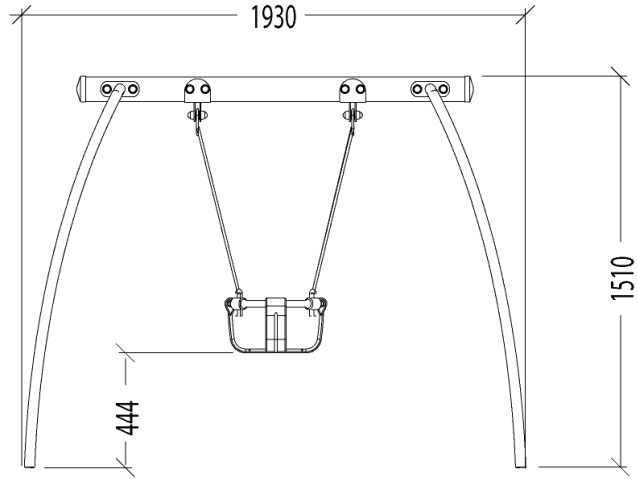


0,9m



1 = 1,93m 2 = 1,52m 3 = 1,51m

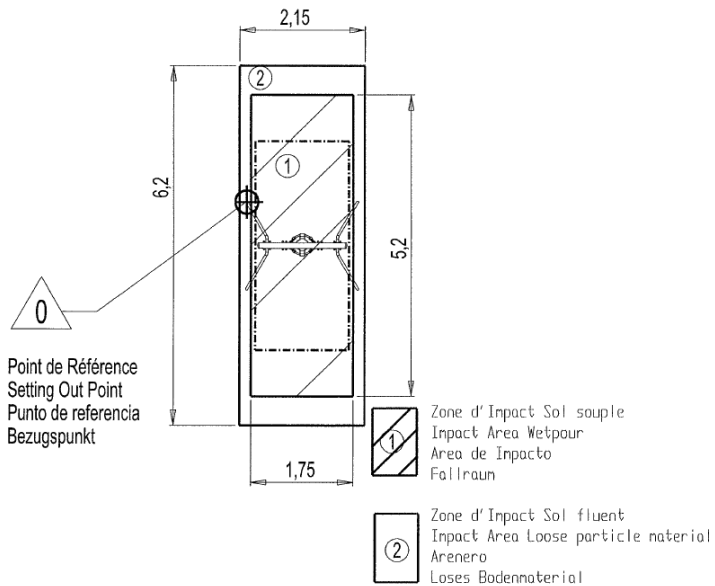







Installation of equipment


Impact area =


-  Impact area
-  Free space





		
1	0,90m	9,5m ²
2	0,90m	13,5m ²



2



02h00



0.2m³


9.5m²


31kg


8kg


1176



2006-02-28