



4+



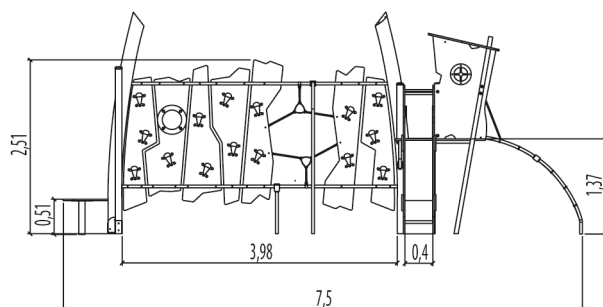
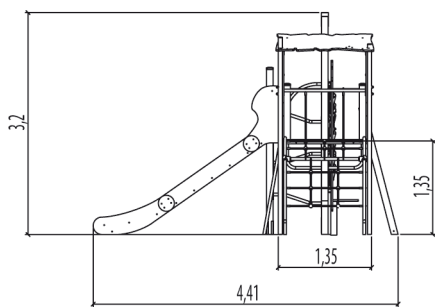
12



2,2m



1 = 7,5m 2 = 4,3m 3 = 3,2m



Play value

climbing



x1

sliding



x1

climbing



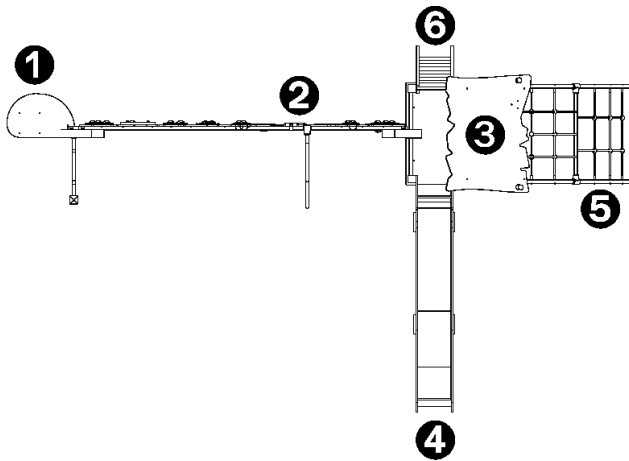
x2

meeting / role play



x2

Number of play elements: 6

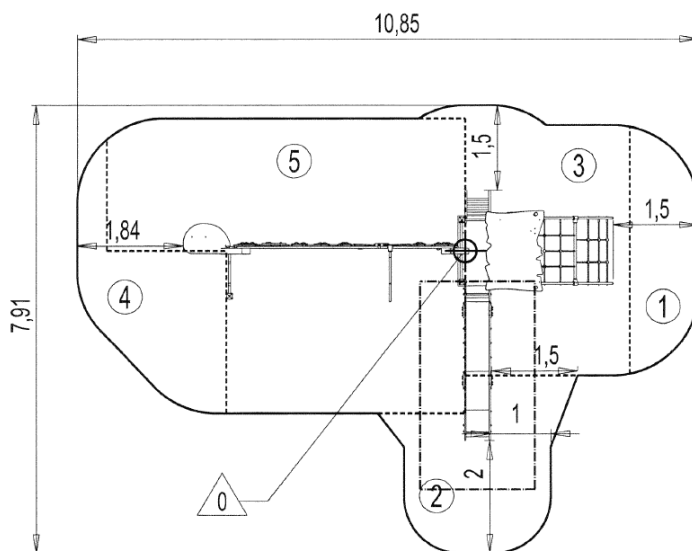


- ❶ The stump
- ❷ Wall
- ❸ The fisherman's hut HT: 1.37m
- ❹ Slide HT: 1.37m
- ❺ Incline net HT: 1.37m
- ❻ Ladder HT: 1.37m

Installation of equipment

Impact area =

- Impact area
- Free space



Point de Référence
Setting Out Point
Punto de referencia
Bezugspunkt
Referentiepunt

| 1 | 0,6m | 4,5m ² |
|---|-------|--------------------|
| 2 | 1m | 7,5m ² |
| 3 | 1,37m | 13,5m ² |
| 4 | 2m | 6,5m ² |
| 5 | 2,2m | 26,5m ² |



2



15h00



0.4m³



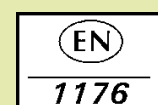
58.5m²



466kg



33kg



Proludic

2013-07-15