



3+



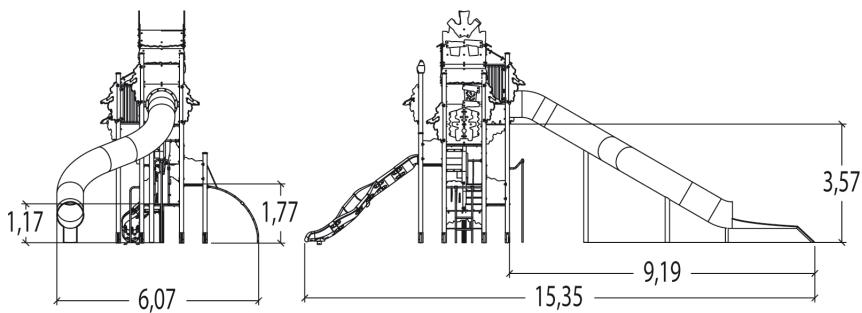
20



2,37m



1 = 15,26m 2 = 6m 3 = 7m



Play value

climbing



sliding



meeting / role play

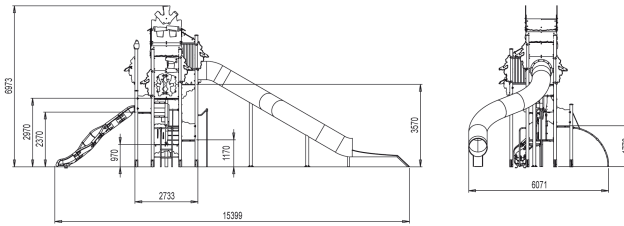


hiding / resting



handling

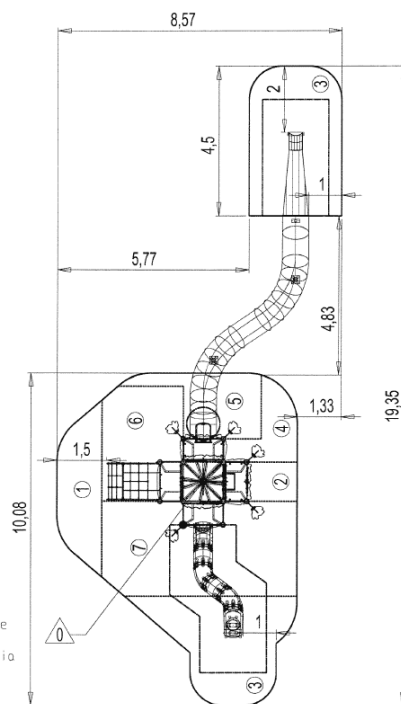






Installation of equipment

Impact area =

-  Impact area
-  Free space



		
1	0,6m	6m ²
2	0,97m	4,5m ²
3	1m	23m ²
4	1,17m	4m ²
5	1,5m	5,5m ²
6	1,77m	8,5m ²
7	2,37m	17m ²



4



00h00



2.9m³



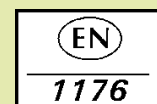
68.5m²



1925kg



-



Proludic

2013-07-23