



2+



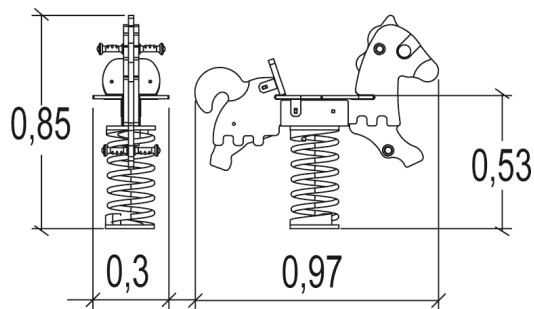
1



0,53m



1 = 0,97m 2 = 0,3m 3 = 0,9m



Play value

swinging



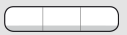
balancing



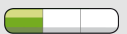
Accessibility



Motor disability

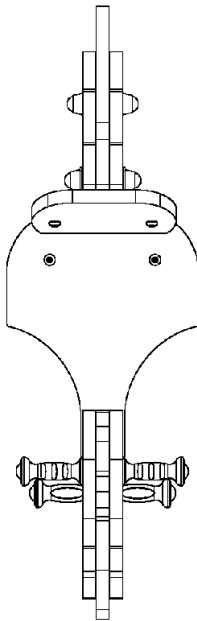


Sensorial Disabilities



Learning Disabilites

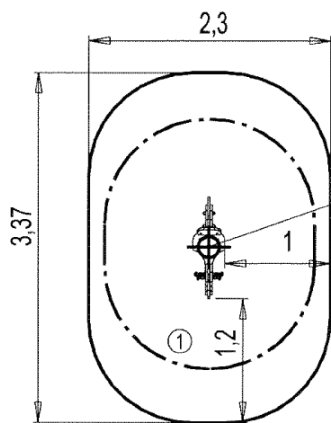






Installation of equipment

Impact area =

-  Impact area
-  Free space



Point de Référence
Setting Out Point
Punto de referencia
Bezugspunkt

		
1	0,53m	7m ²



1



01h15



0m³



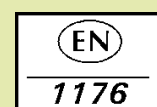
7m²



29kg



10kg



Proludic

2013-07-12