



2+



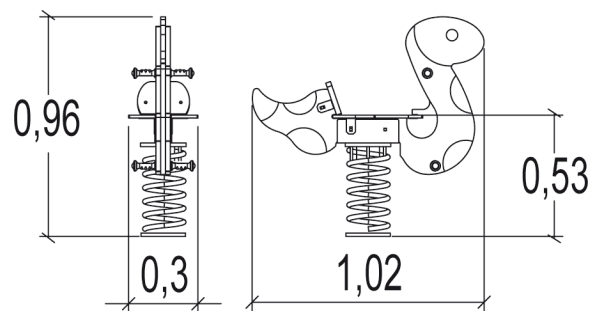
1



0,53m



1 = 1m 2 = 0,3m 3 = 0,97m



### Play value

swinging



balancing



### Accessibility



Motor disability

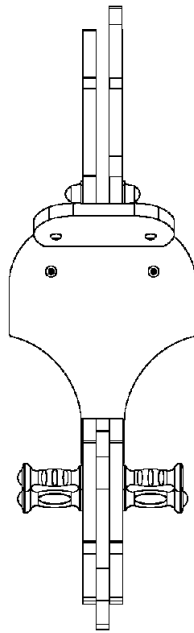


Sensorial Disabilities



Learning Disabilites

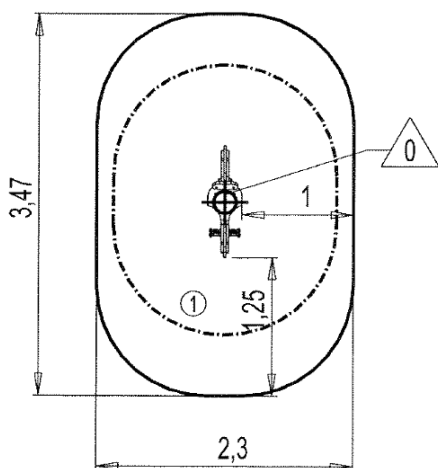






## Installation of equipment

Impact area =

-  Impact area
-  Free space



Point de Référence  
Setting Out Point  
Punto de referencia  
Bezugspunkt

		
1	0,53m	7,5m <sup>2</sup>



1



01h15



0m<sup>3</sup>



7.5m<sup>2</sup>



26kg



10kg



*Proludic*

2013-07-12