



2+



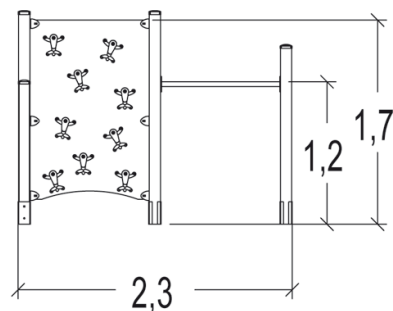
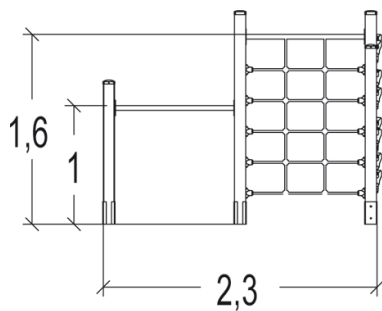
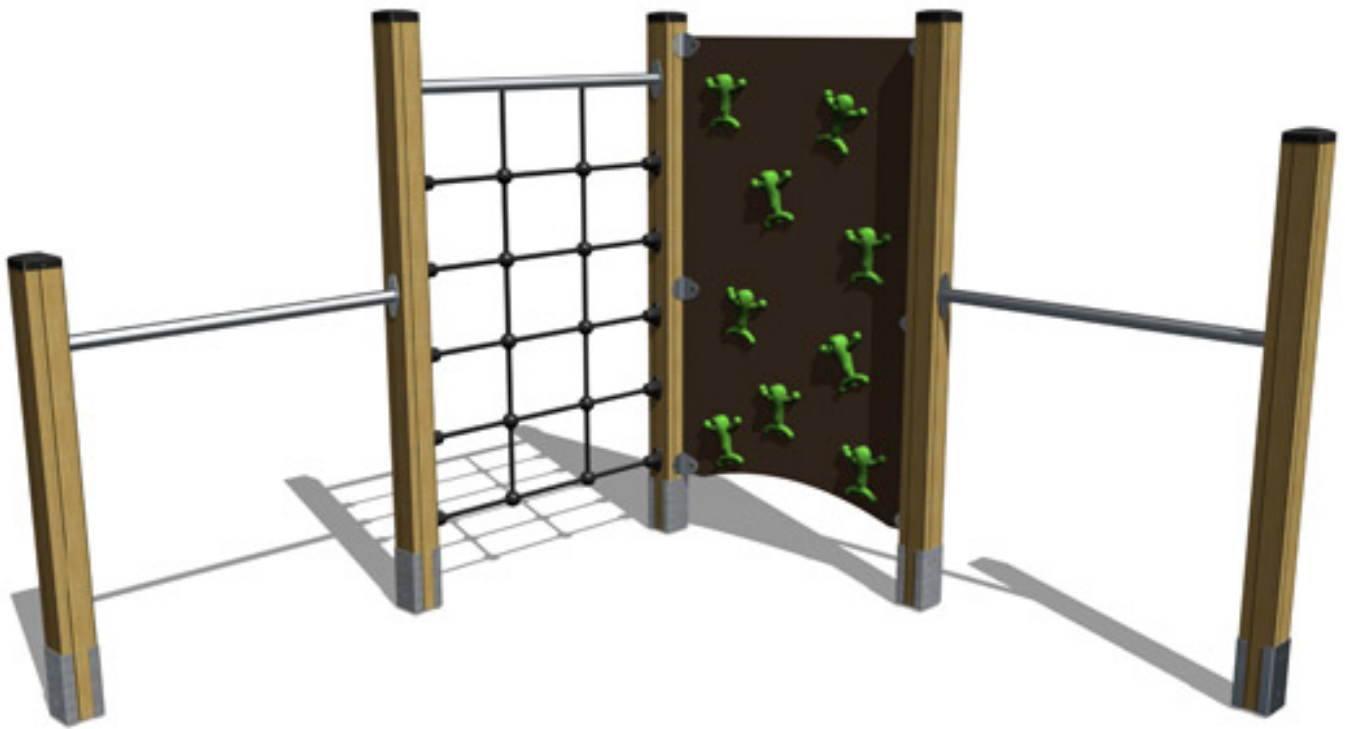
8



1,7m



1 = 2,3m 2 = 2,3m 3 = 1,8m



Play value

climbing



x1

hanging



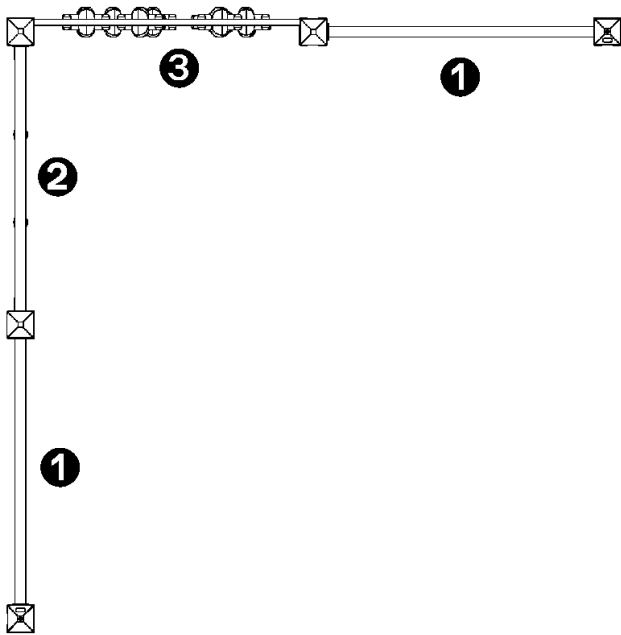
x1

climbing



x1

Number of play elements: 3

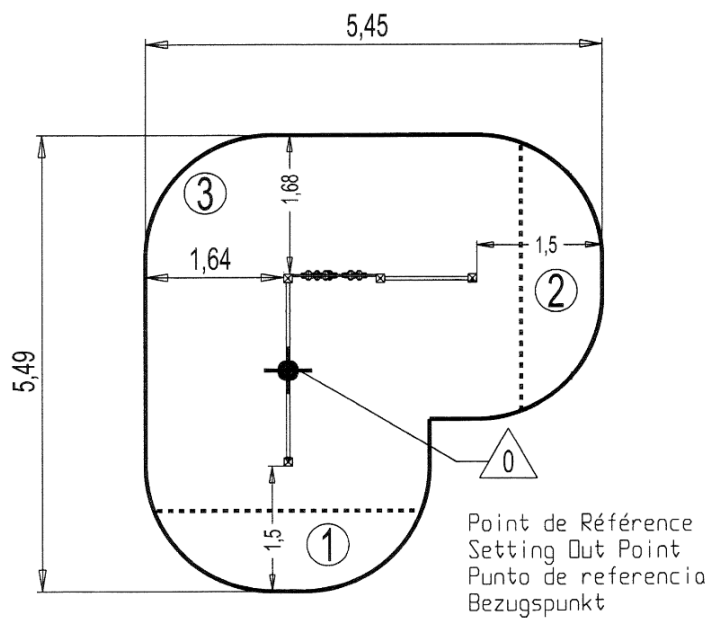


- ① Horizontal bar HT: 1m
- ② Net
- ③ Climbing wall L1 h: 1.7m

Installation of equipment

Impact area =

- Impact area
- Free space



1	1m	2,5m ²
2	1,2m	2,5m ²
3	1,7m	18,5m ²



2



03h30



0.2m³



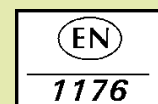
23.5m²



118kg



26kg



Proludic

2013-08-27