

# Hydraulic abdominal

R37-UBX-211B



14+



1



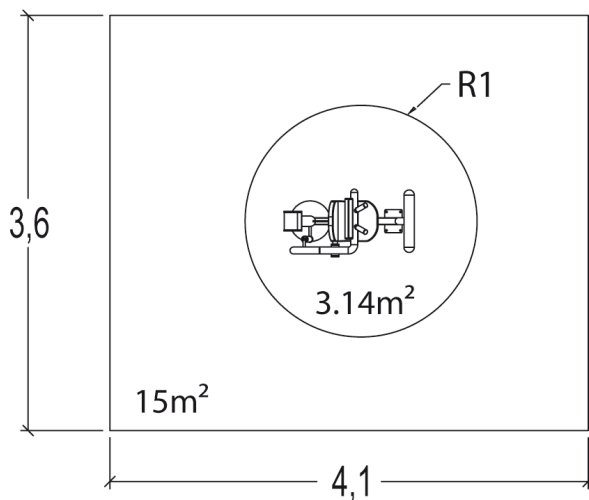
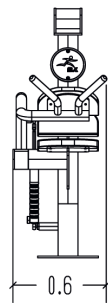
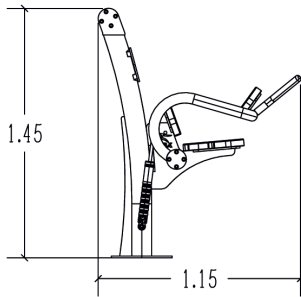
0,45m



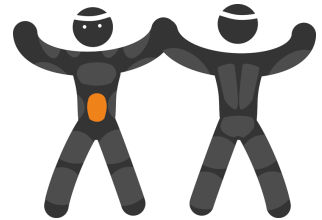
1 = 1,15m 2 = 0,6m 3 = 1,45m



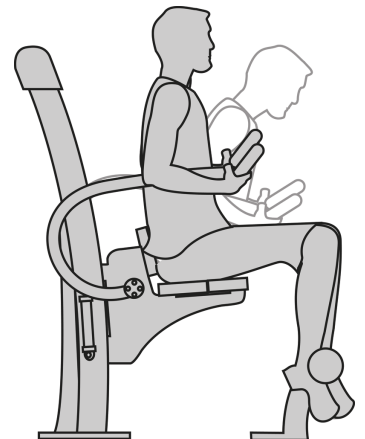
User controlled hydraulic piston



## MUSCULAR STIMULATION



## MOVEMENTS



## CERTIFICATIONS

