

# Hydraulic triceps

R37-UBX-244B



14+



1



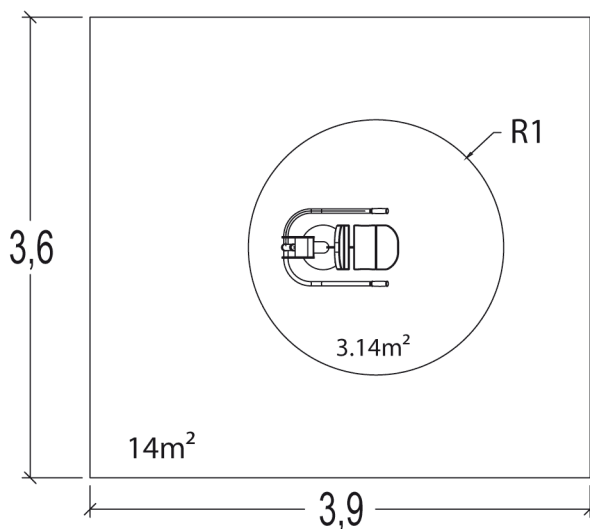
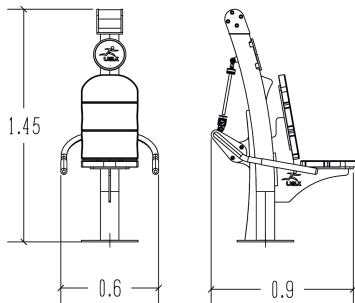
0,4m



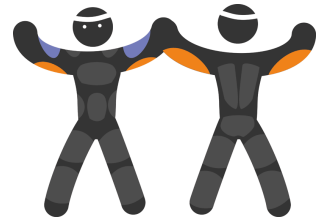
1 = 0,9m 2 = 1,45m 3 = 0m



User controlled hydraulic piston



## MUSCULAR STIMULATION



## MOVEMENTS



## CERTIFICATIONS

