



2+



6



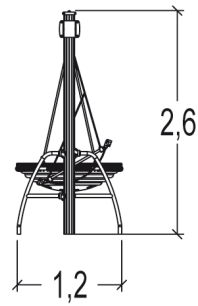
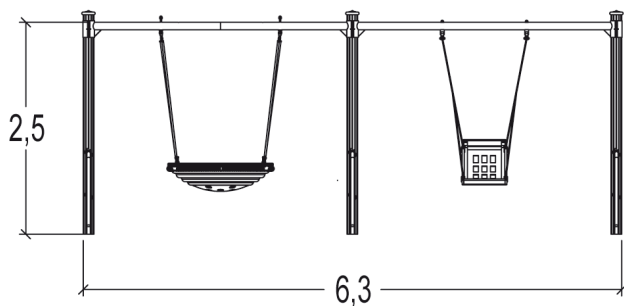
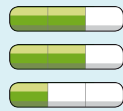
1,65m



1 = 6,3m 2 = 1,2m 3 = 2,6m



Motor disabilities
 Sensorial disabilities
 Learning disabilities



Play value : 3

resting

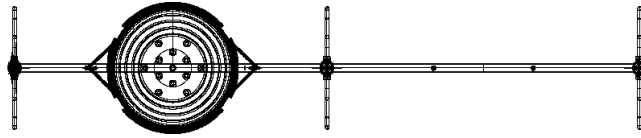


meeting



swinging





Installation of equipment

Impact area =

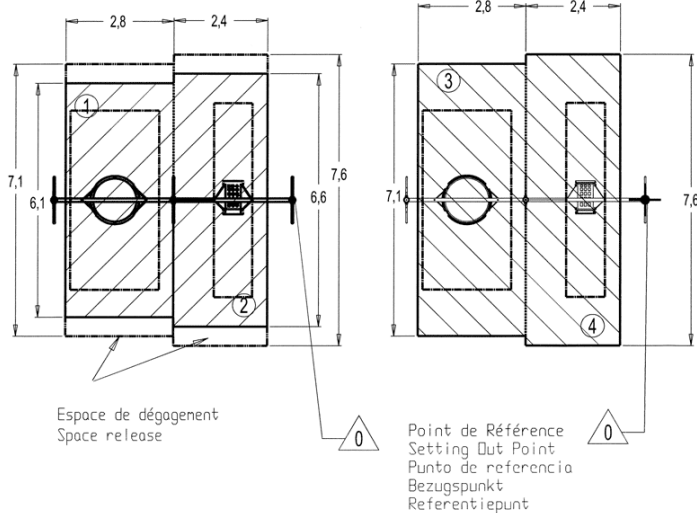
 Impact area
 Free space



Zone d'Impact Sol souple
 Impact Area Wetpour
 Area de Impacto
 Fallraum bei synthetischen Fallschutz



Zone d'Impact Sol fluent
 Impact Area Loose particle material
 Arenero
 Fallraum bei losen Bodenmaterial



| | | |
|---|-------|--------------------|
| 1 | 1,55m | 17,5m ² |
| 2 | 1,65m | 16m ² |
| 3 | 1,55m | 20m ² |
| 4 | 1,65m | 18,5m ² |



2



03h00



1m³



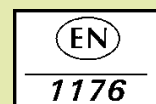
33.5m²



249kg



33kg



2015-08-05