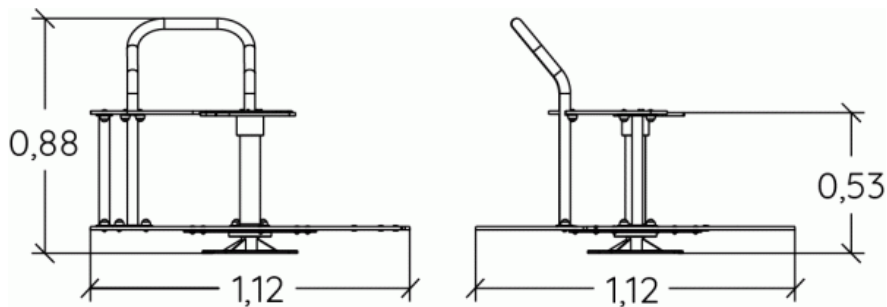
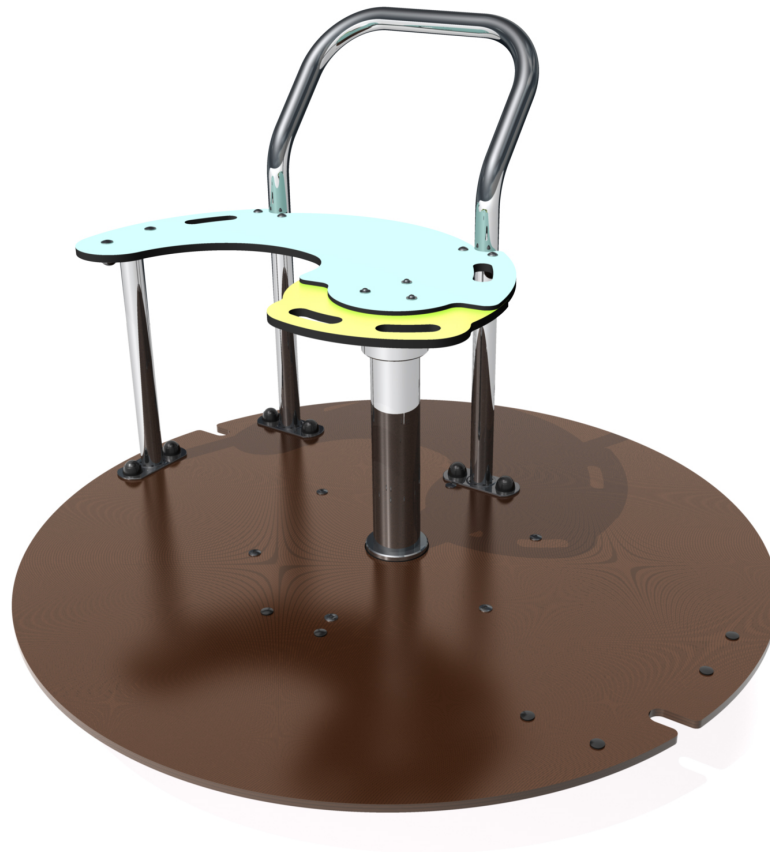


Physical inclusion
Sensory inclusion
Cognitive inclusion



Play value : **3**

meeting



x1

balancing



x1

rotating



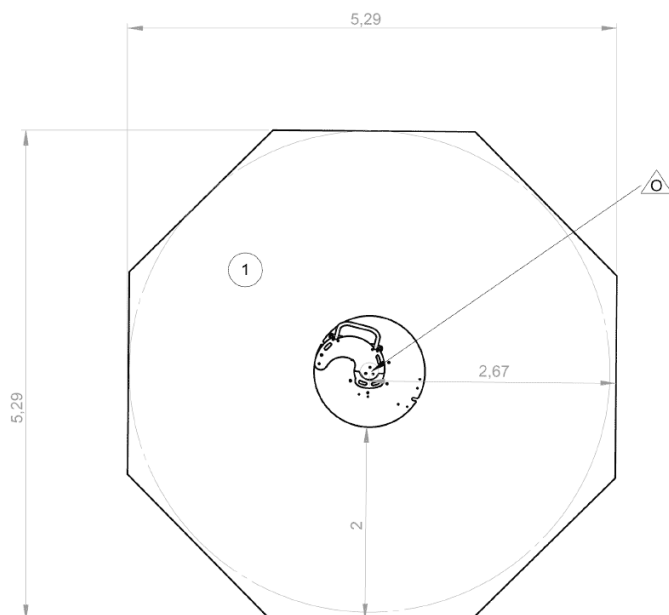
x1



Installation of equipment

IMPORTANT: It is essential to refer to the installation instructions for information on the size of the safety areas.

———— Impact area (minimum normative surface)

- - - - - Free space



		
1	1m	23m ²



1



03h00



0.3m³



23m²



85kg



75kg

