



6+



14



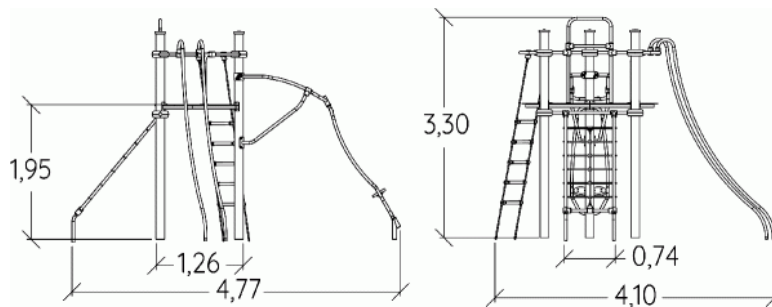
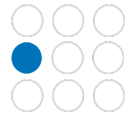
1,95m



1 = 4,8m
2 = 4,1m
3 = 3,3m



Physical inclusion
Sensory inclusion
Cognitive inclusion



Play value :

7

sliding



x1

meeting



x1

balancing



x2

rotating



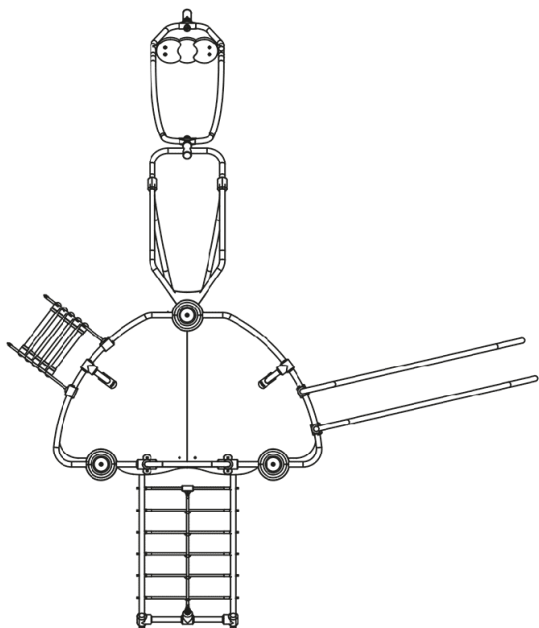
x1

climbing



x2

Components

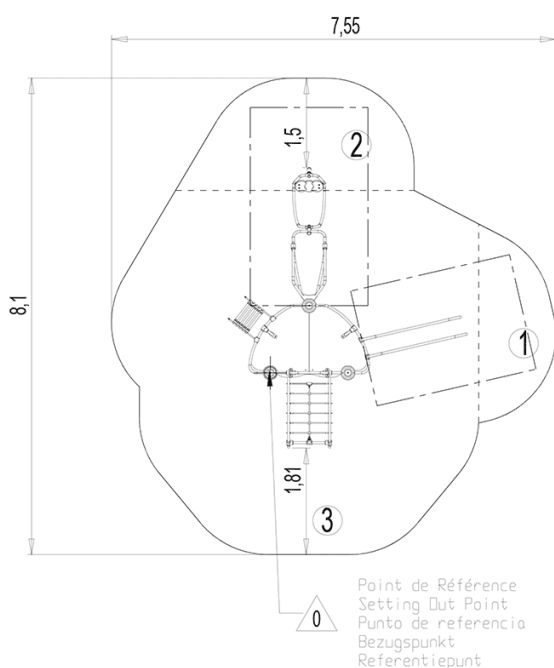


- ❶ Tour Gamma
- ❷ Gyro
- ❸ Incline net
- ❹ Rope ladder
- ❺ Speed slide

Installation of equipment

IMPORTANT: It is essential to refer to the installation instructions for information on the size of the safety areas.

- Impact area (minimum normative surface)
- Free space



1	0,6m	3,5m ²
2	0,7m	6m ²
3	1,95m	33,5m ²



2



16h00



0.7m³



43m²



202kg



15kg

EN

1176