


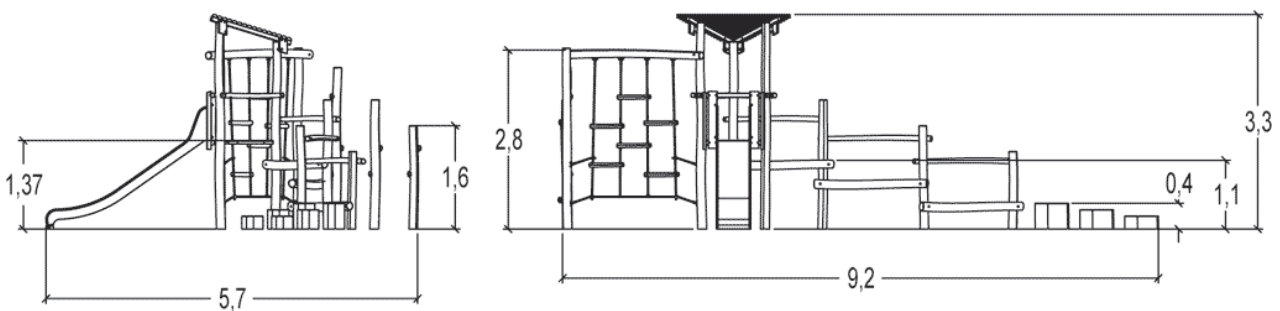
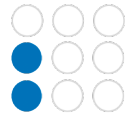
 **3+**
 **17**
 **2,8m**



 1 = 9,26m
 2 = 5,8m
 3 = 3,32m



Physical inclusion
Sensory inclusion
Cognitive inclusion



Play value : **13**

climbing



x1

sliding



x1

meeting



x1

jumping



x1

balancing



x3

taking shelter



x1

climbing



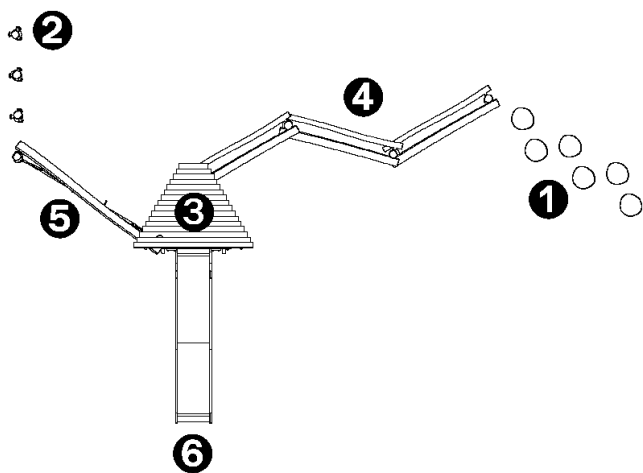
x1

getting across



x4



Components

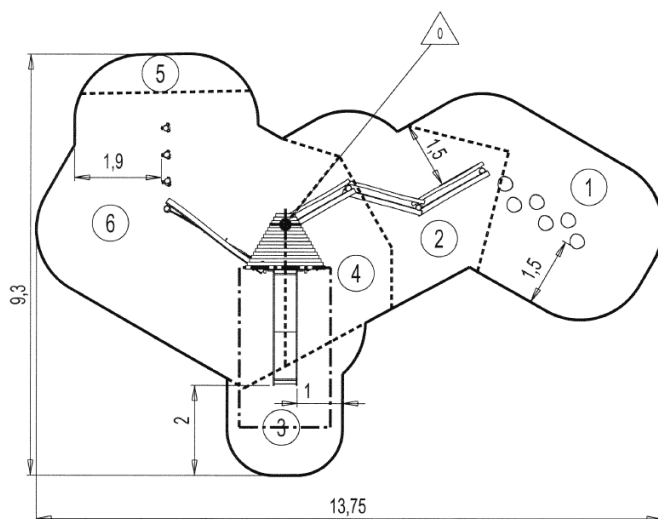


- 1 Japanese steps
- 2 Climbing posts
- 3 Platform Ht: 1.37m
- 4 Log walkway
- 5 Log ladder net
- 6 Slide Ht: 1.37m
- 7 Roof

Installation of equipment

IMPORTANT: It is essential to refer to the installation instructions for information on the size of the safety areas.

-  Impact area (minimum normative surface)
-  Free space



1	0,6m	14,5m ²
2	0,86m	10,5m ²
3	1m	6m ²
4	1,37m	7,5m ²
5	1,7m	2,5m ²
6	2,8m	28,5m ²



2



10h50



0.58m³



66.5m²



837kg



250kg

EN

1176