



14+



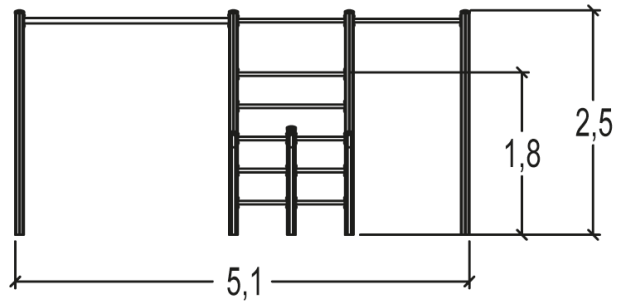
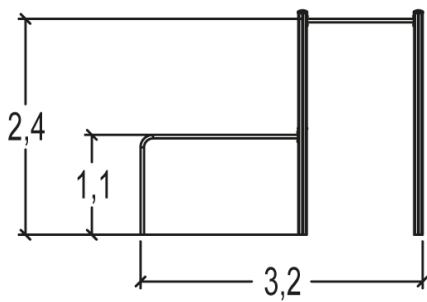
0



1,5m



1 = 5,1m 2 = 3,17m 3 = 2,51m



Play value

hanging



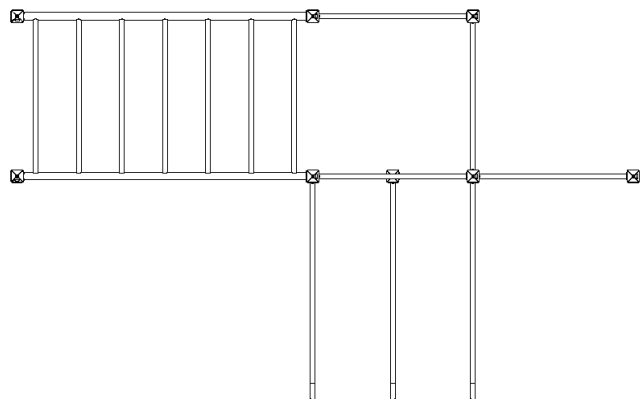
x3

climbing



x1

Number of play elements: 4

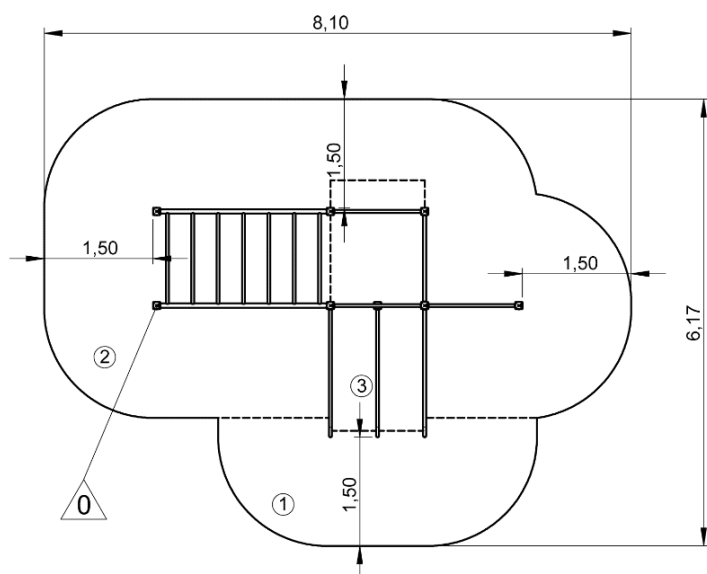


- ① Echelle de suspension
- ② Barre fixe L:1,2 m H:2.4 m
- ③ Espalier H: 1,9 m
- ④ Barre parallèle

Installation of equipment

Impact area =

- Impact area
- Free space



1	1,12m	6,5m ²
2	1,43m	27,5m ²
3	1,72m	4,5m ²



2



04h50



0.84m³



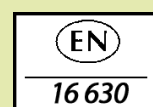
31.5m²



274kg



29kg



Proludic

0000-00-00