



2+



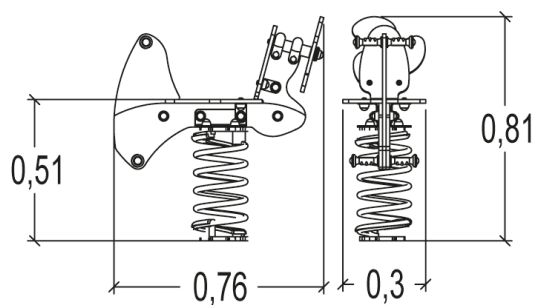
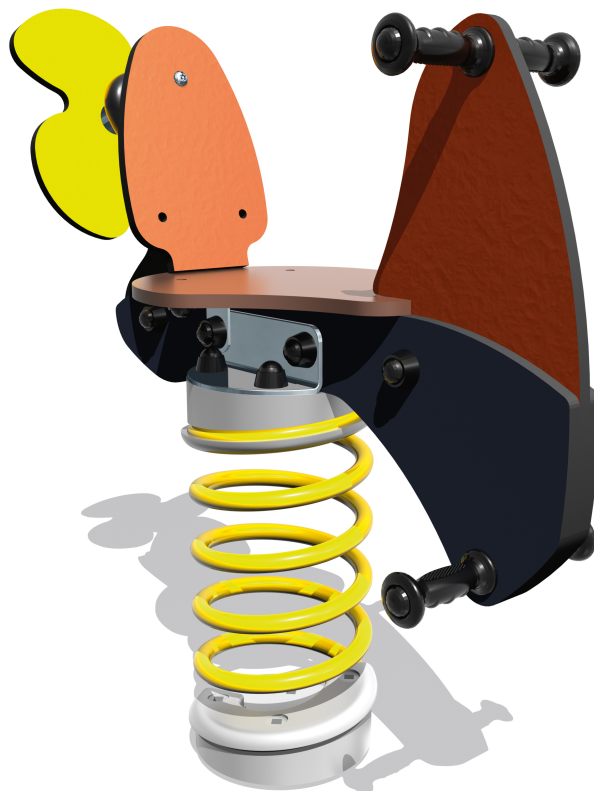
1



0,51m



1 = 0,76m 2 = 0,3m 3 = 0,81m



Play value

swinging



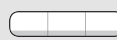
balancing



Accessibility



Motor disability

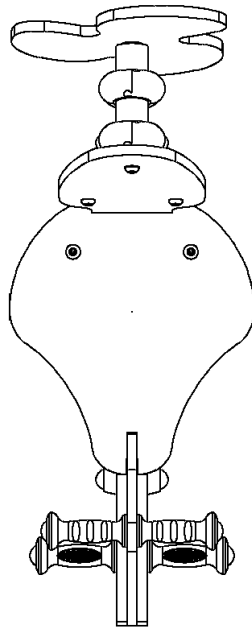


Sensorial Disabilities



Learning Disabilities

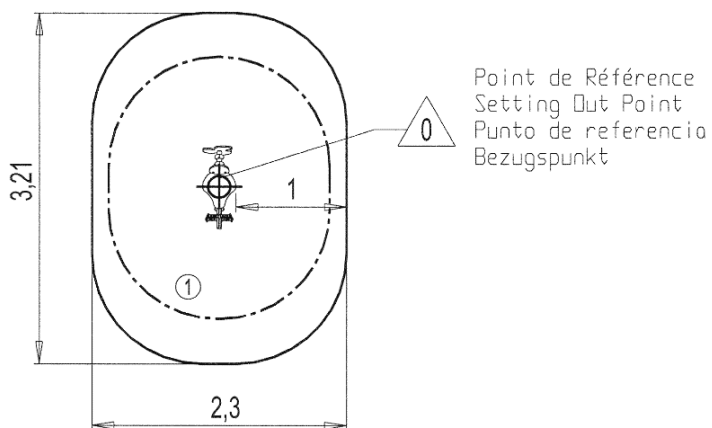






Installation of equipment

Impact area =

-  Impact area
-  Free space



		
1	0,51m	7,8m ²



2



00h00



0m³



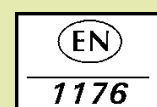
7.8m²



28kg



10kg



Proludic

2014-01-07