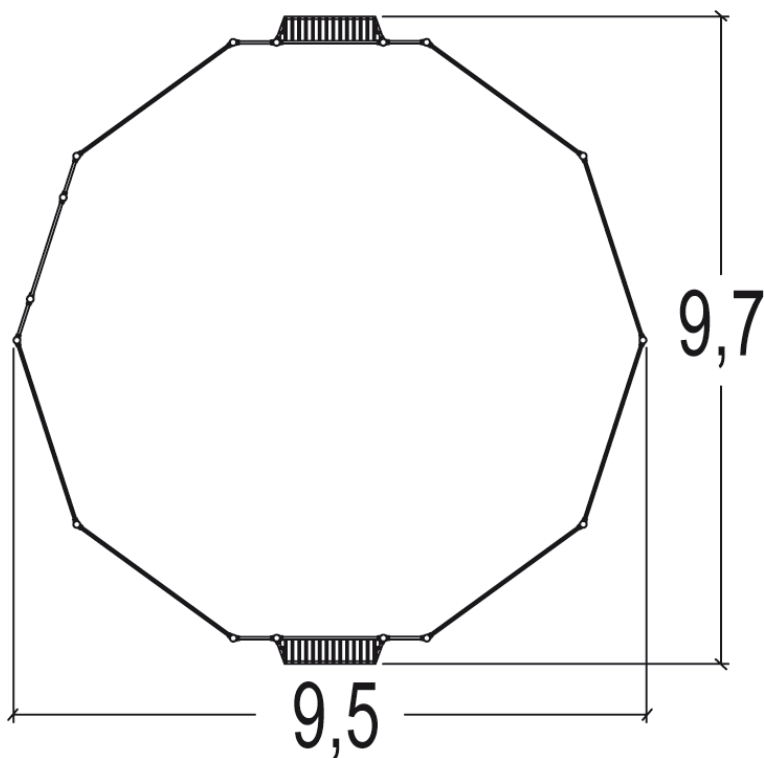
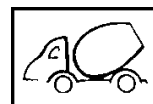
 1=9.7m 2=9.5m 3=1.2m



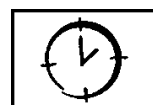
**INSTALLATION**



2.3m<sup>3</sup>

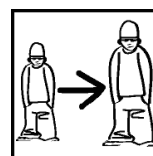


2



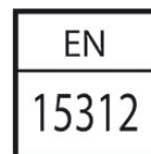
07h00

**OTHER INFORMATION**



6+

**CERTIFICATIONS**



Kaal = 100 kg

Raskeim detail = 0 kg