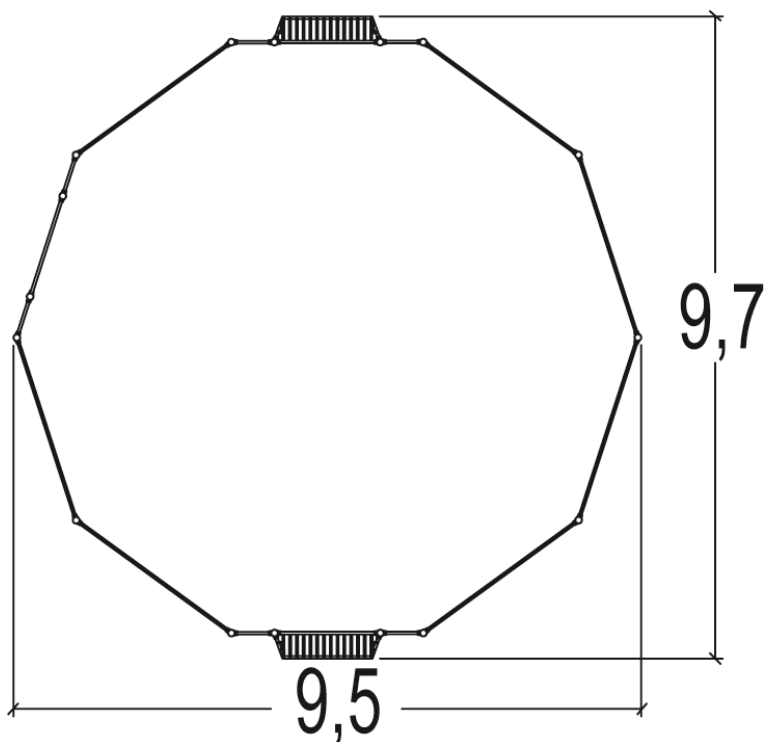
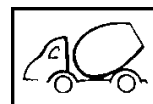
 1=9.7m 2=9.5m 3=2.3m



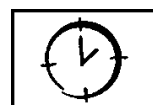
INSTALLATION



2.3m³

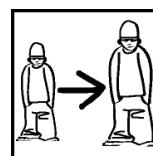


2



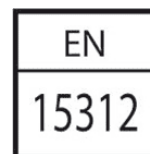
70h00

OTHER INFORMATION



6+

CERTIFICATIONS



Kaal = 100 kg

Raskeim detail = 0 kg