



2+



18



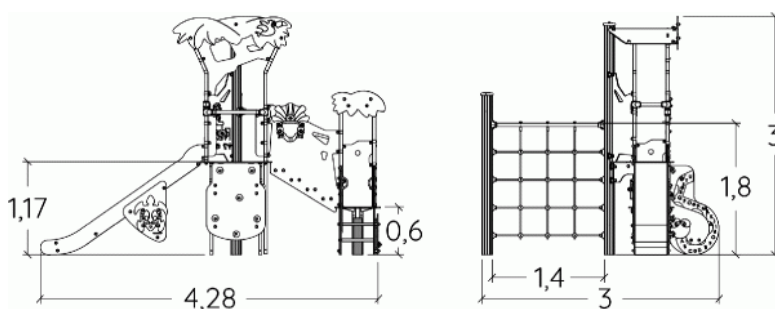
1,8m



1 = 4,28m
2 = 3m
3 = 3m



Physical inclusion
Sensory inclusion
Cognitive inclusion



Play value : **25**

climbing



x1

role play



x4

sliding



x1

meeting



x2

resting



x1

handling



x2

hiding



x1

taking shelter



x1

thinking



x2

tactile stimulation



x3

visual stimulation



x2

climbing



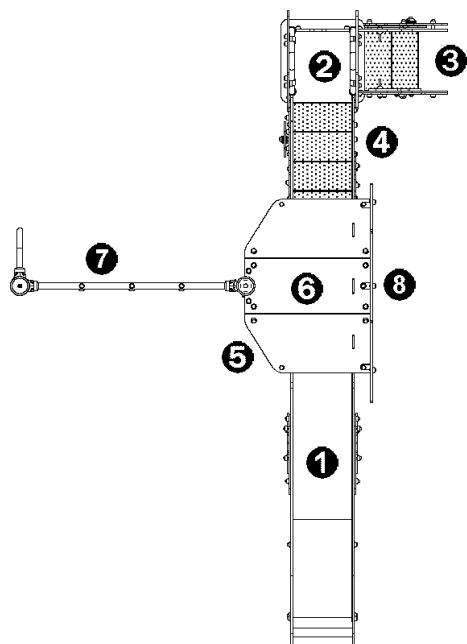
x4

getting across



x1



Components

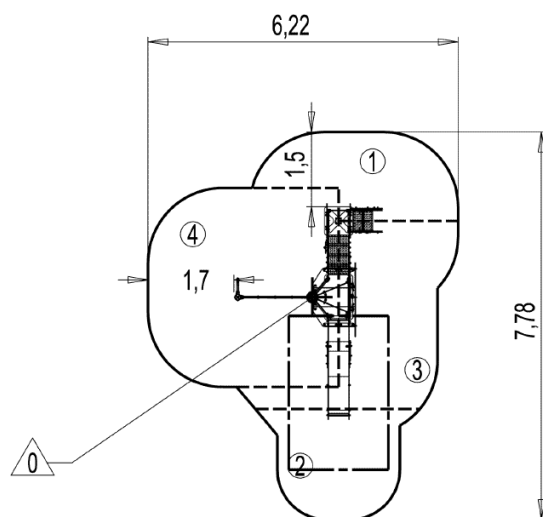


- ① Slide
- ② Themed square platform
- ③ Stairway
- ④ Intermediate staircase
- ⑤ Maze panel
- ⑥ Themed tower
- ⑦ Climbing net
- ⑧ Climbing wall

Installation of equipment

IMPORTANT: It is essential to refer to the installation instructions for information on the size of the safety areas.

-  Impact area (minimum normative surface)
-  Free space



Point de Référence
Setting Out Point
Punto de referencia
Bezugspunkt



| | | |
|---|-------|-------------------|
| 1 | 0,6m | 6m ² |
| 2 | 1m | 5,5m ² |
| 3 | 1,17m | 8,5m ² |
| 4 | 1,8m | 13m ² |



2



12h00



0.2m³



33m²



325kg



19kg

