



2+



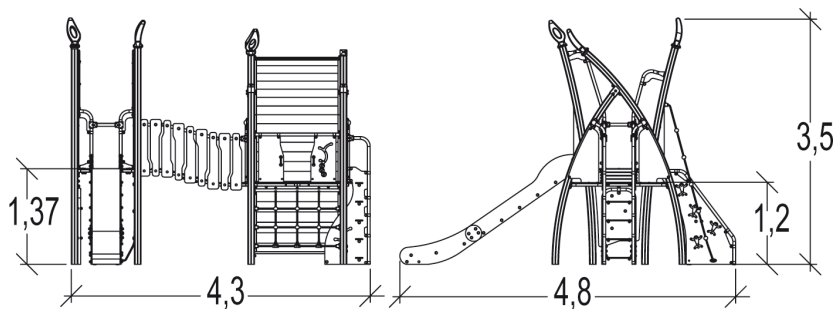
15



1,37m



1 = 4,7m 2 = 4,3m 3 = 3,5m



Play value : 14

climbing



x2

sliding



x1

meeting



x2

handling



x3

balancing



x1

taking shelter



x1

climbing

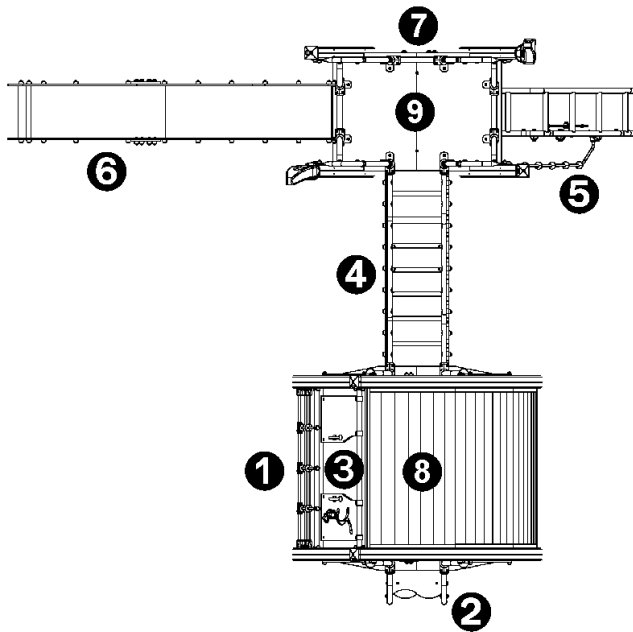


x3

getting across



x1

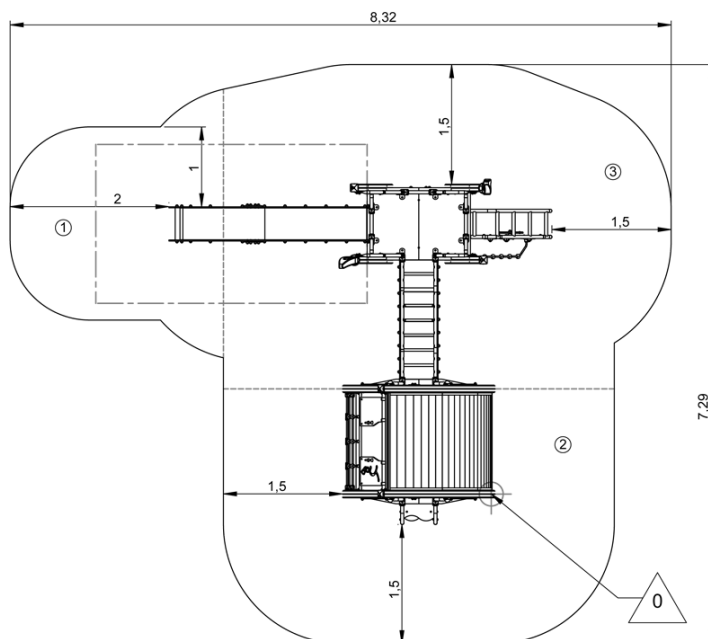


- ① FILE A GRIMPER 1.17 KANOPÉ
- ② Stairs Ht: 1.17m
- ③ Play panel
- ④ Tilted bridge
- ⑤ Climbing unit, HT: 1,37m
- ⑥ Slide Ht : 1.37m
- ⑦ Climbing wall Ht: 1.37m
- ⑧ Platform H: 1.17m
- ⑨ Platform with no roof, Ht: 1,37m

Installation of equipment

Impact area =

- Impact area
- Free space



1	1m	7m ²
2	1,17m	15m ²
3	1,37m	21,5m ²



2



17h00



0.6m³



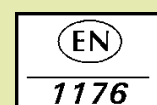
44m²



686kg



28kg



Proludic

0000-00-00