



2+



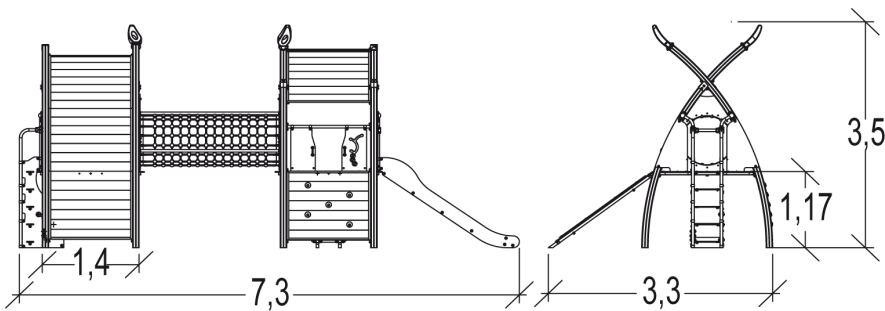
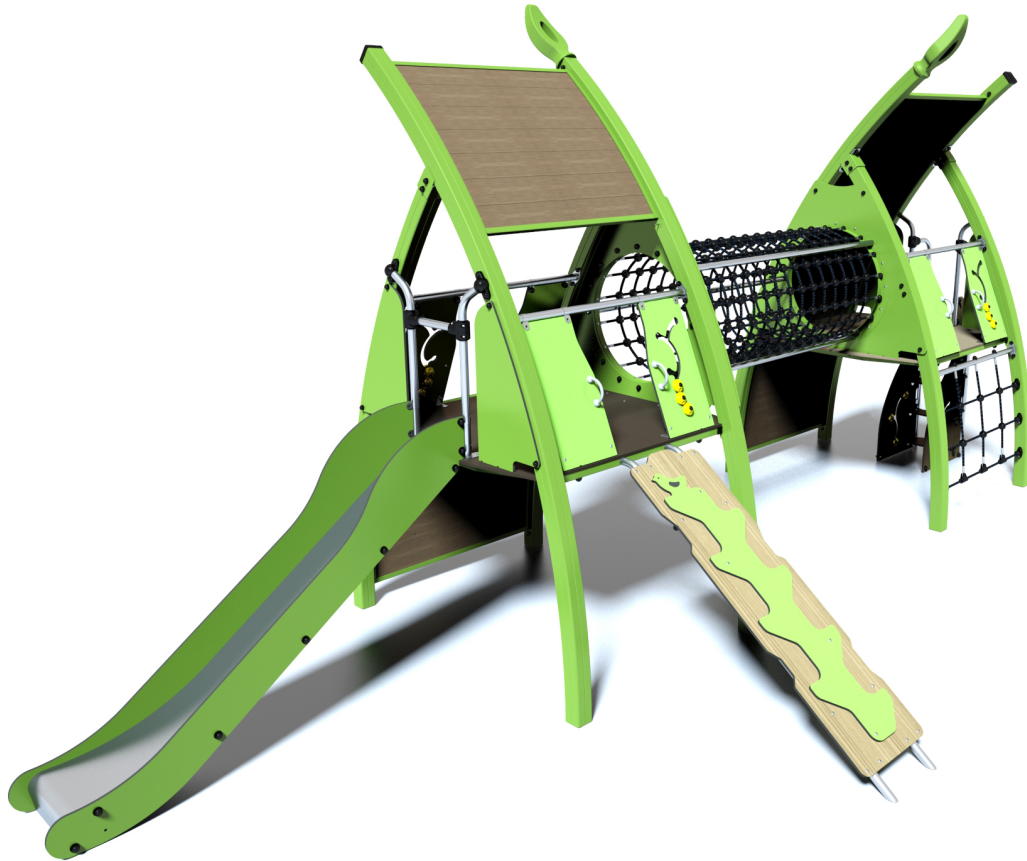
20



1,17m



1 = 7,3m 2 = 3,2m 3 = 3,5m



Play value : 13

climbing



x1

sliding



x1

meeting



x1

handling



x2

crawling



x1

hiding



x1

taking shelter



x2

climbing

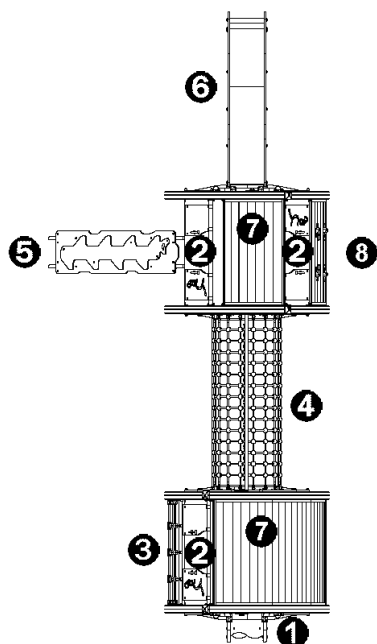


x3

getting across



x1

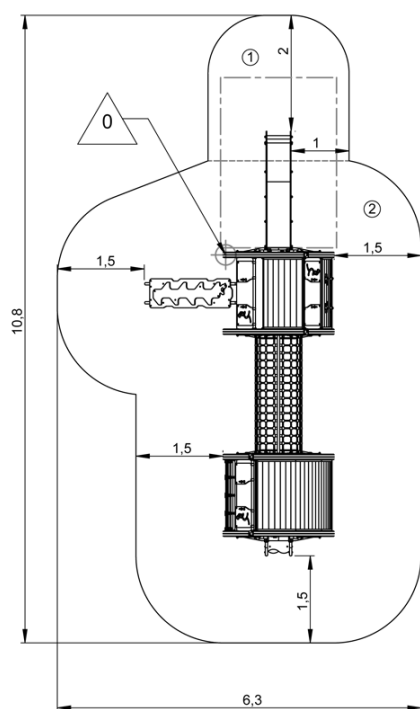


- ① Stairs Ht: 1.17m
- ② Play panel
- ③ FILET A GRIMPER 1.17 KANOPÉ
- ④ Net tunnel
- ⑤ Climbing wall h: 1.7m
- ⑥ Slide Ht : 0.6m
- ⑦ Slope Ht: 1.17m
- ⑧ Platform H: 1.17m

Installation of equipment

Impact area =

- Impact area
- Free space



1	1m	6m ²
2	1,17m	43m ²



2



16h00



0.5m³



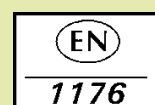
49m²



702kg



32kg



Proludic

0000-00-00