



3+



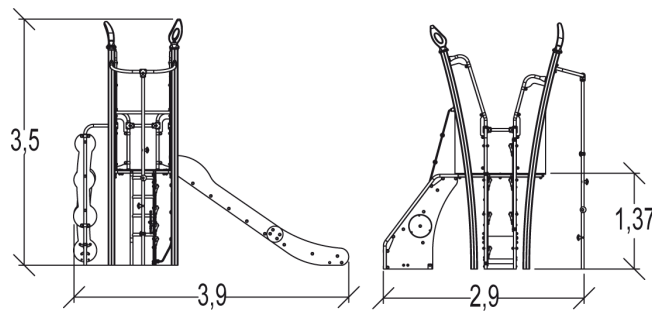
12



1,9m



1 = 4m 2 = 2,8m 3 = 3,5m



Play value : 9

climbing



x2

sliding



x1

meeting



x1

handling



x1

balancing

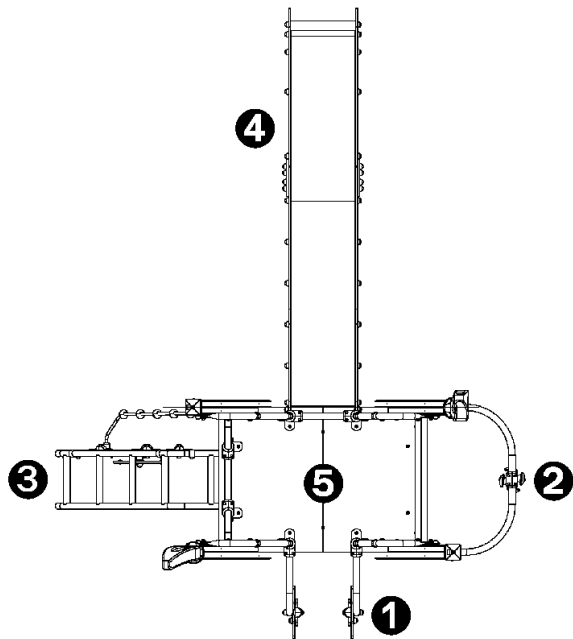


x2

climbing



x2

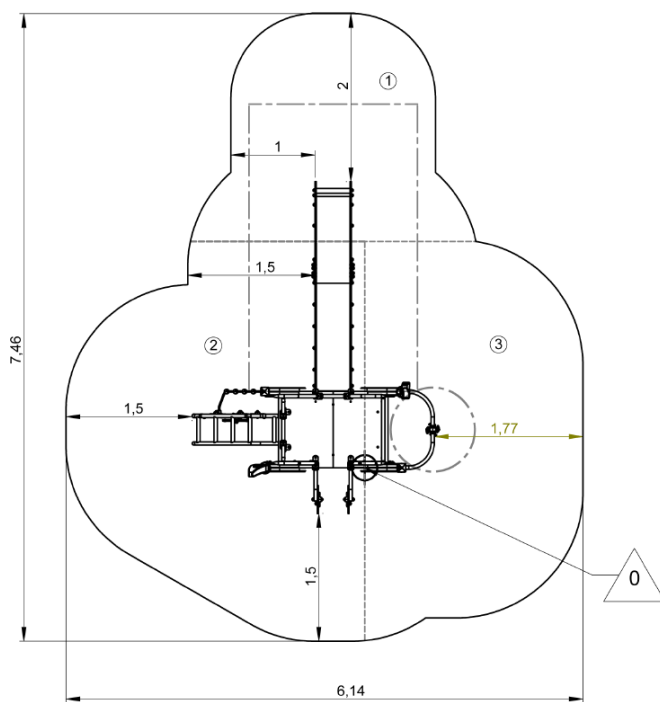




- ① Climbing unit, HT: 1,37m
- ② Coconut tree mast
- ③ Climbing ladder
- ④ Slide Ht : 1.37m
- ⑤ Platform with roof, Ht: 1,37m

## Installation of equipment

Impact area =

-  Impact area
-  Free space



		
1	1m	7m <sup>2</sup>
2	1,37m	14m <sup>2</sup>
3	1,9m	11m <sup>2</sup>



2



14h00



0.5m<sup>3</sup>



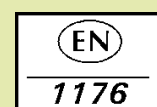
32m<sup>2</sup>



330kg



26kg



*Proludic*

0000-00-00