



5+



54



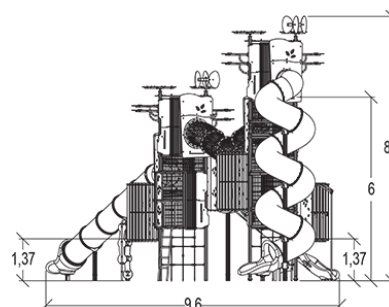
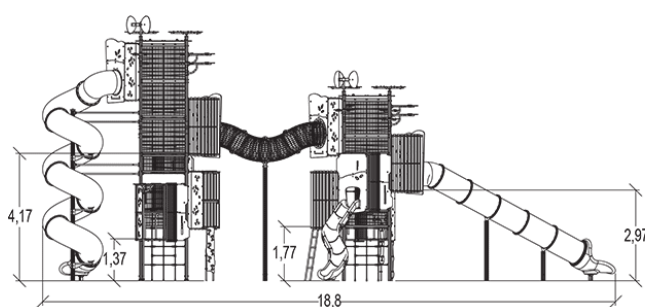
2,37m



1 = 18,79m
2 = 9,63m
3 = 8,66m



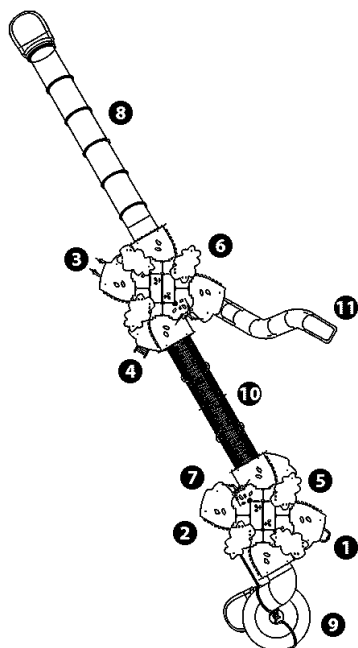
Motor inclusion
Sensory inclusion
Mental inclusion



Play value : **27**

climbing x2	role play x2	sliding x4	meeting x2	resting x2	crawling x1	hiding x2	balancing x3
taking shelter x2	sound stimulation x1	tactile stimulation x1	visual stimulation x1	climbing x3	getting across x1		

Components

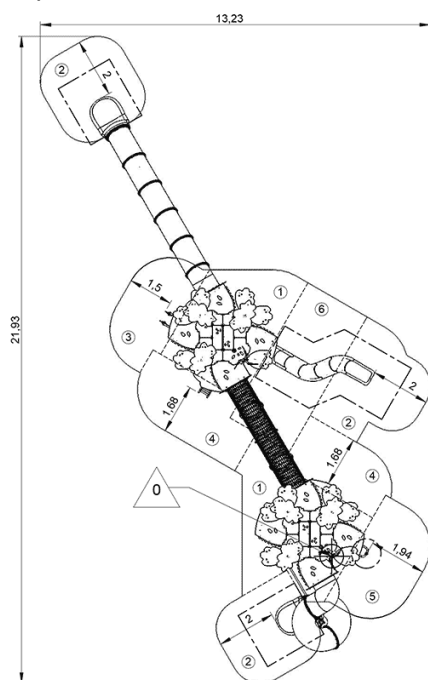


- ① Fireman's pole
- ② Butterfly play panel
- ③ Climbing ladder
- ④ Ladder Ht: 1.77m
- ⑤ Climbing wall
- ⑥ Tower 6m / 5 platforms
- ⑦ Tower 8m / 5 platforms
- ⑧ Polyethylene slide Ht : 2.97m
- ⑨ Polyethylene slide Ht : 5.97m
- ⑩ Rigid wire tunnel H: 4.17m
- ⑪ Slide Ht : 2.37m

Installation of equipment

Impact area =

— Impact area
- - - Free space



1	0,6m	28,5m ²
2	1m	28m ²
3	1,37m	7,5m ²
4	1,77m	15,5m ²
5	2,16m	9m ²
6	2,37m	12,5m ²



3



55h00



2.5m³



101m²



5344kg



78kg

