

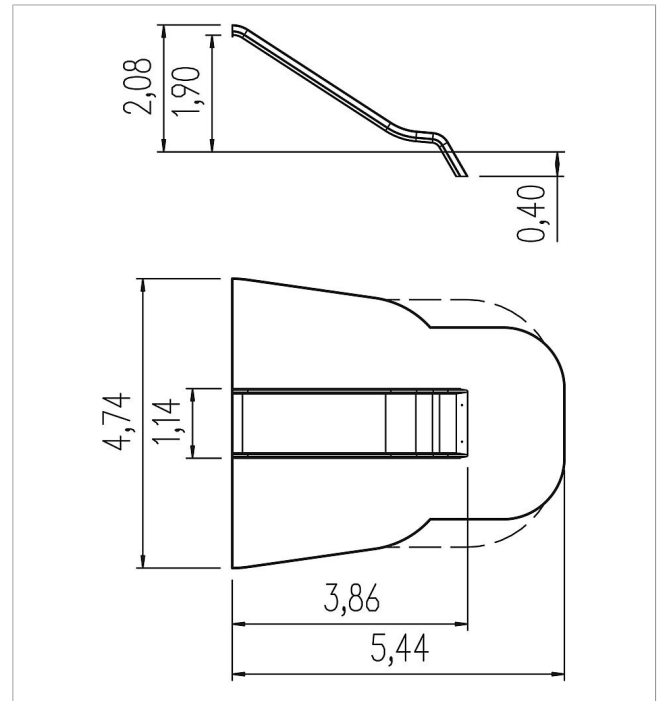
5 40 105 1210 0


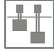


**Basis Add-on slide
wide stainless steel ph
195 cm**
made in germany



Scope of delivery

1 wide slide ph 195 cm: stainless steel



	Material	Stainless steel
	Foundation level	FL 1
	Minimum space	544x474x370 cm
	Free falling height	195 cm
	Impact protection net	21,0 m ²
	Foundations	1x CF or 1x PFs
	Assembly	2 persons/1 h
	Largest section	459x114x45 cm
	Heaviest section	150 kg