



2-8



1



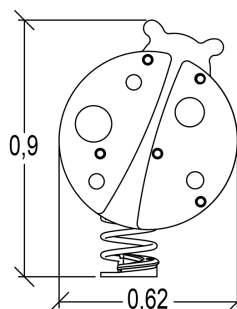
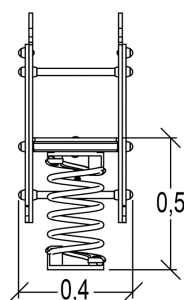
0,6m



1 = 0,8m  
2 = 0,4m  
3 = 0,6m



Motor inclusion  
Sensory inclusion  
Mental inclusion



Play value :

3

meeting



x1

swinging



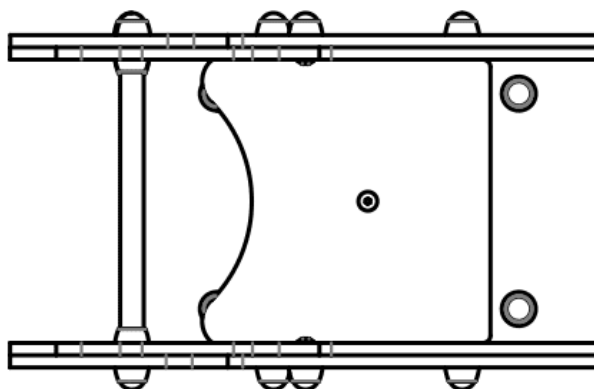
x1

balancing



x1

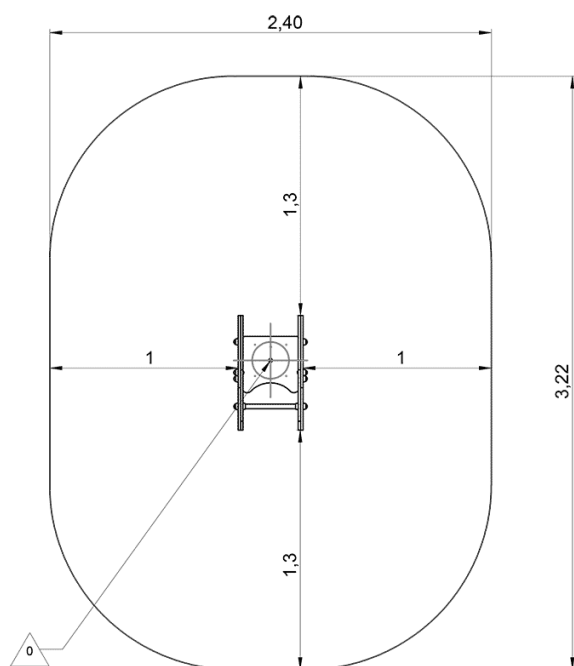
## Components



## Installation of equipment

Impact area =

— Impact area  
- - - Free space



1	0,6m	7,5m <sup>2</sup>
---	------	-------------------



1



1:h0



0m<sup>3</sup>



7m<sup>2</sup>



45kg



11kg

