



2+



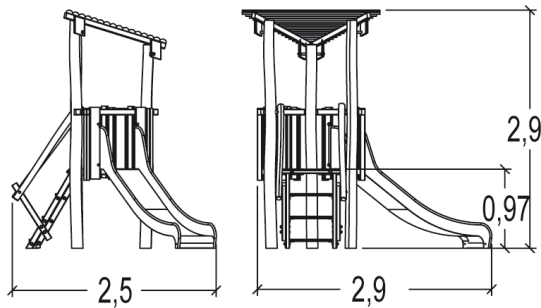
8



1m



1 = 2,9m 2 = 2,5m 3 = 2,9m



Play value : 4

sliding



x1

meeting



x1

taking shelter

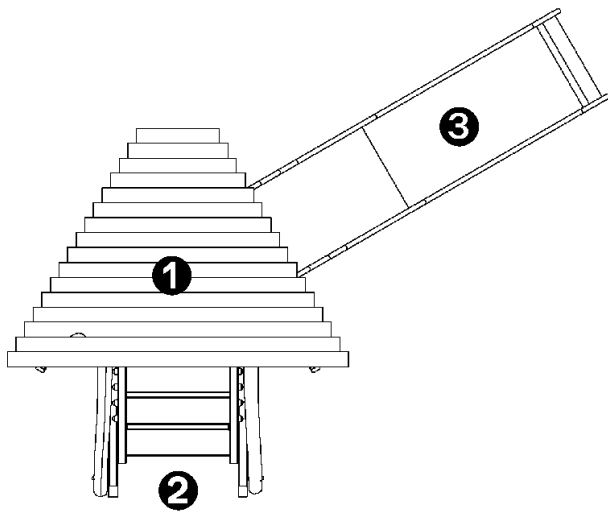


x1

climbing



x1

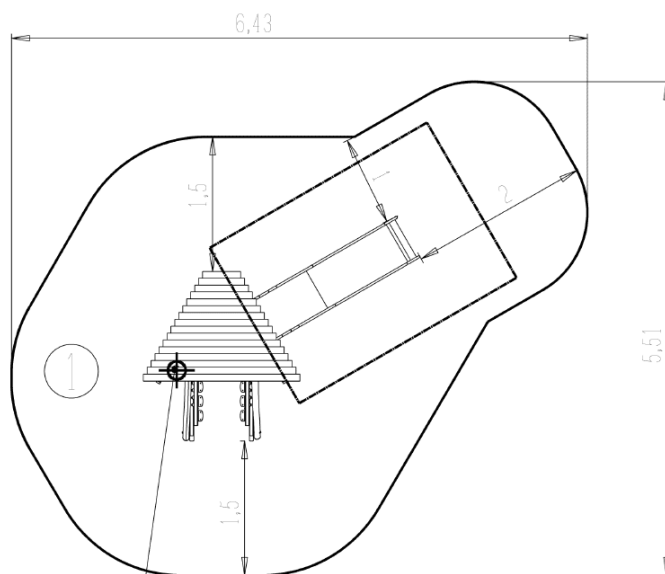


- ① Platform Ht: 0.97m
- ② Stairs
- ③ Slide Ht: 0.97m



## Installation of equipment

Impact area =

-  Impact area
-  Free space



Point de Référence  
Setting Out Point  
Punto de referencia  
Bezugspunkt  
Referentiepunt

		
1	1m	24m <sup>2</sup>



2



08h00



0m<sup>3</sup>



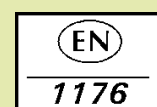
24m<sup>2</sup>



310kg



42kg



*Proludic*

2013-06-03