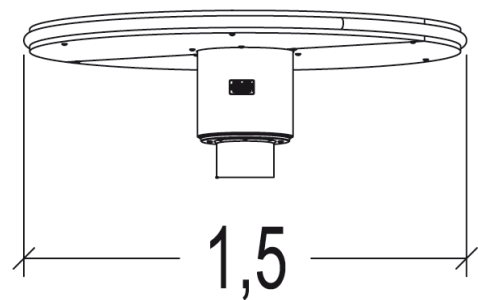
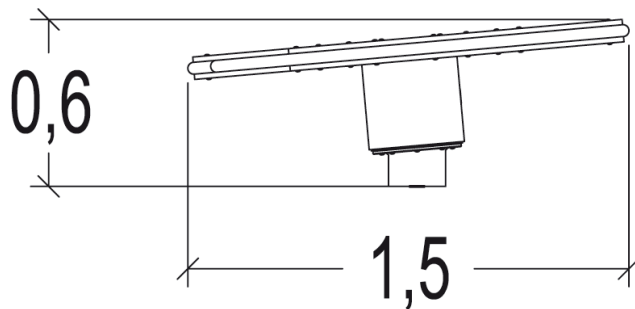
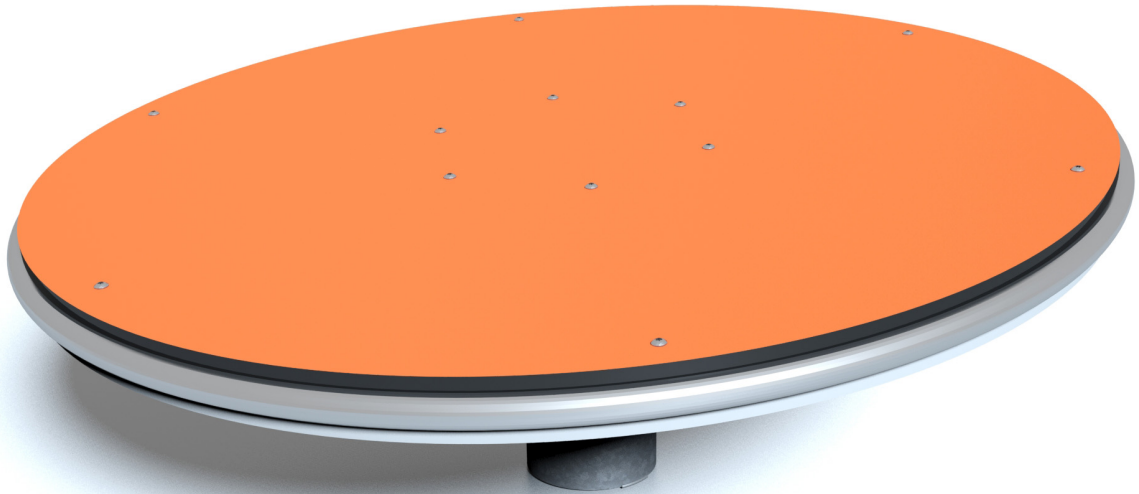


3+	8	1m	1 = 1,5m 2 = 1,5m 3 = 0,62m

	Motor disability	<input type="checkbox"/>
	Sensorial disabilities	<input type="checkbox"/>
	Learning disabilities	<input type="checkbox"/>



Play value : **3**

balancing

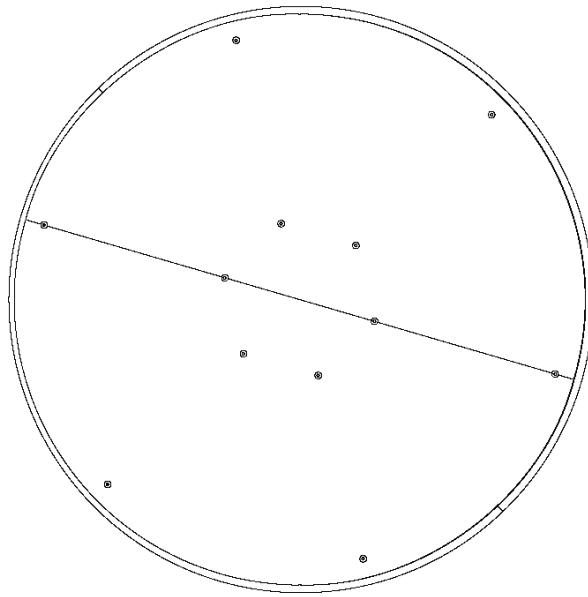


rotating



meeting

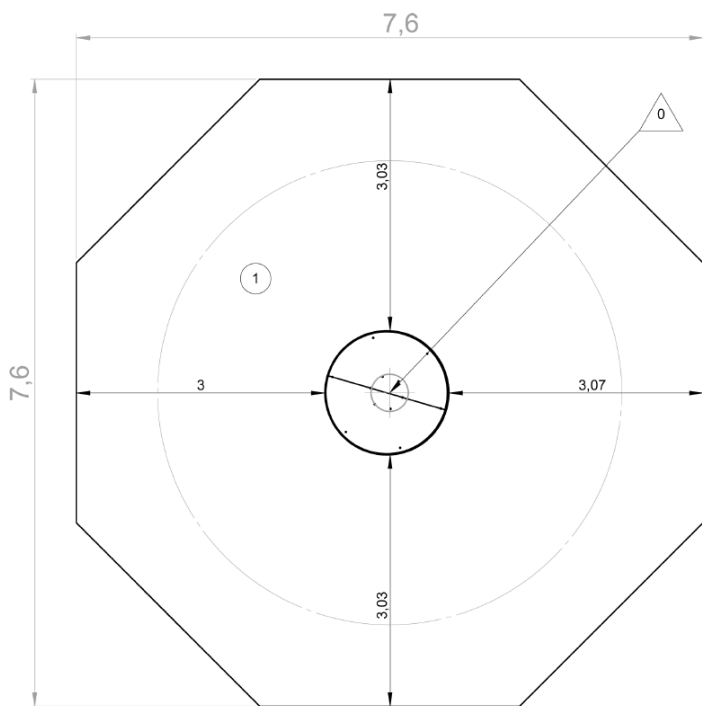












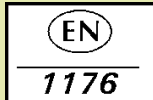

Installation of equipment

Impact area =

-  Impact area
-  Free space



		
1	1m	48m ²

							
2	01h45	0.11m ³	48m ²	117kg	32kg		0000-00-00