



2+



6



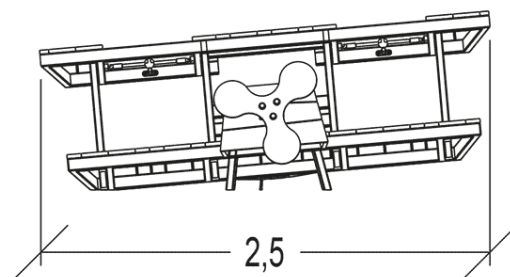
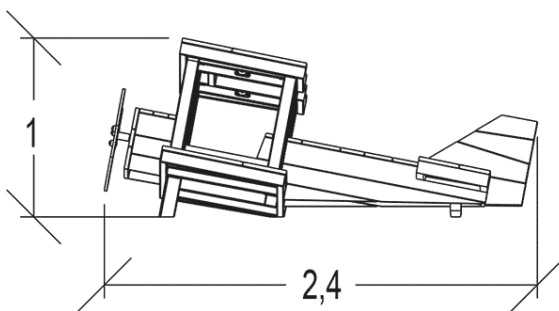
1m



1 = 2,5m
2 = 2,25m
3 = 1m



Motor inclusion
Sensory inclusion
Mental inclusion



Play value :

6

role play



x1

meeting



x1

resting



x1

handling



x1

crawling



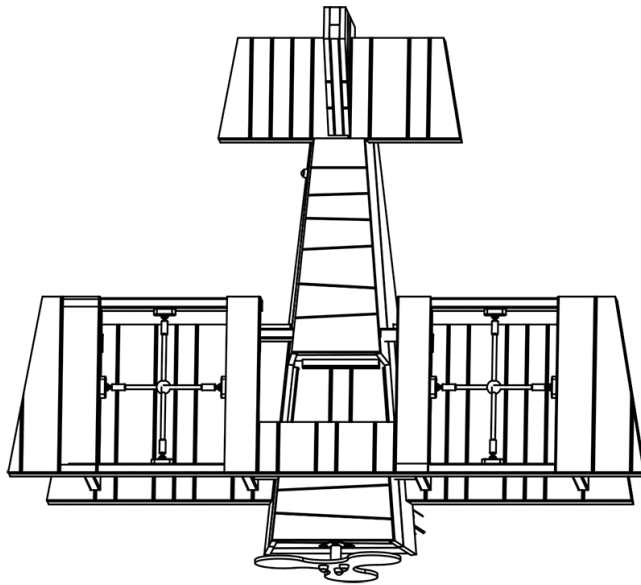
x1

climbing



x1

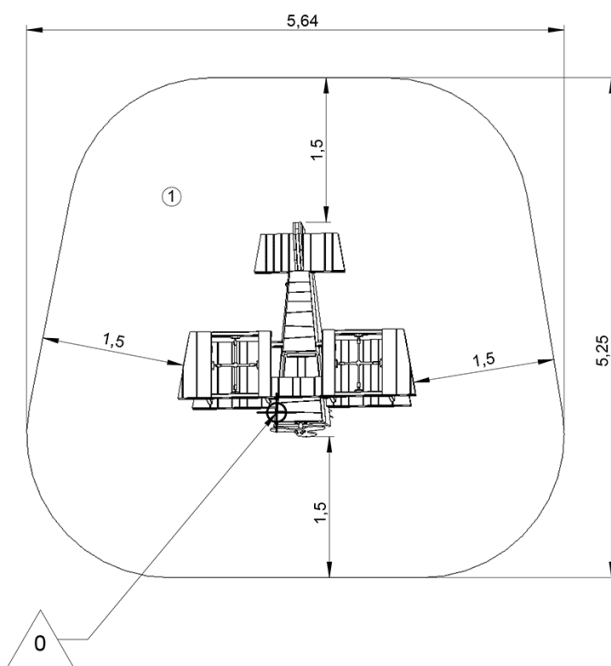
Components



Installation of equipment

Impact area =

— Impact area
- - - Free space



1	1m	26m ²
---	----	------------------



2



01h00



0.1m³



26m²



287kg



275kg

