


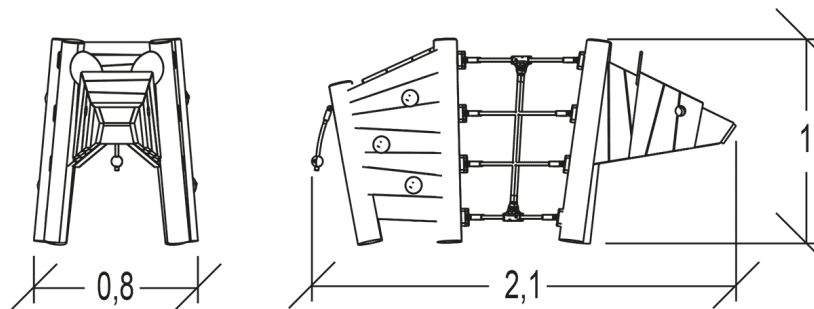
 **2+**
 **6**
 **1m**



 1 = 2,1m
 2 = 0,8m
 3 = 1m



Motor inclusion
 Sensory inclusion
 Mental inclusion



Play value : **6**

climbing



x1

role play



x1

meeting



x1

crawling



x1

hiding



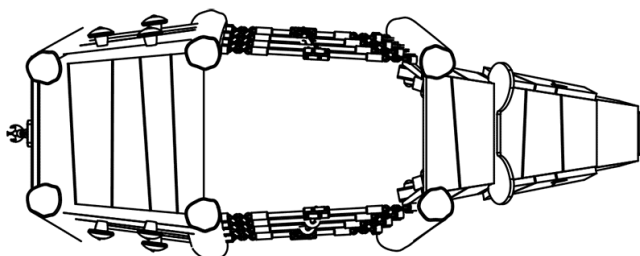
x1

climbing



x1

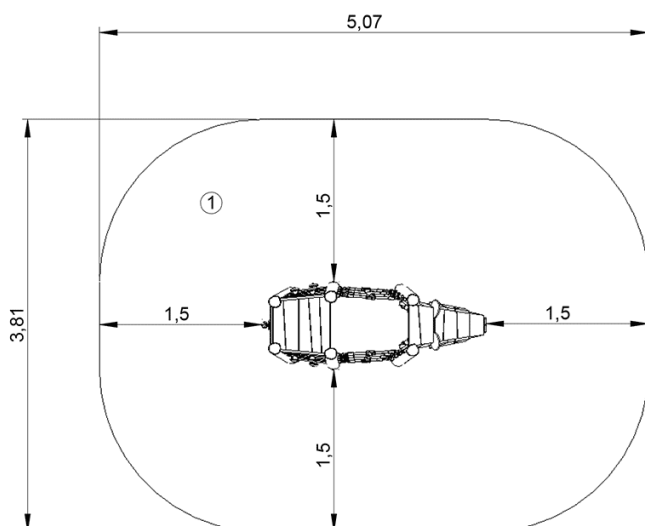
Components



Installation of equipment

Impact area =

— Impact area
- - - Free space



1	1m	17,5m ²
---	----	--------------------



2



01h00



0.2m³



17.5m²



302kg



292kg

