




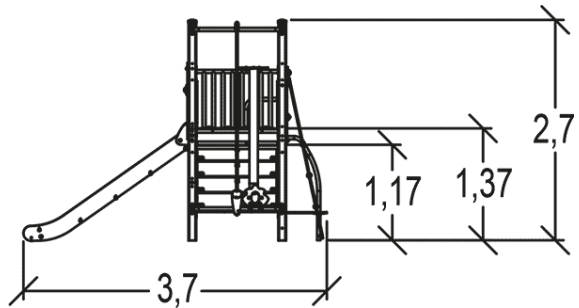
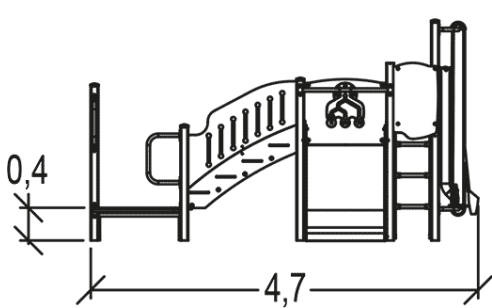









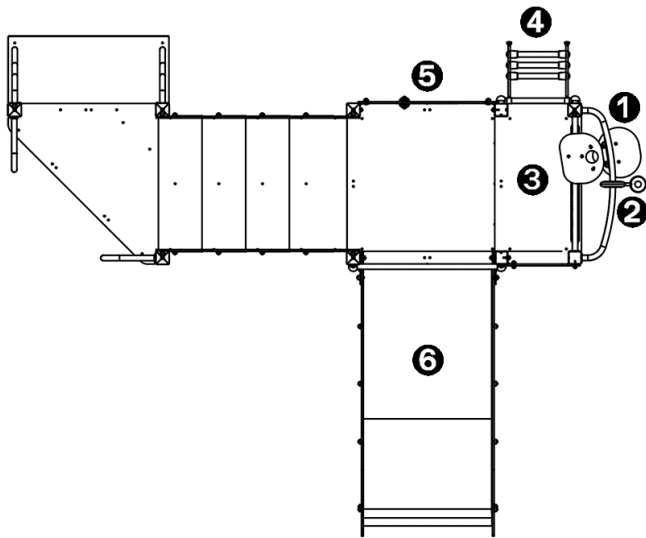
|  |   |   |   |
|--|---|---|---|
|  |  |  |  |
| <b>2+</b>  | <b>18</b>   | <b>1,37m</b>  | <b>1 = 4,7m 2 = 3,84m 3 = 2,71m</b>   |

|  |                        |                          |
|--|------------------------|--------------------------|
|  | Motor disability       | <input type="checkbox"/> |
|  | Sensorial disabilities | <input type="checkbox"/> |
|  | Learning disabilities  | <input type="checkbox"/> |



**Play value : 14**

|   |   |   |   |   |  |   |
|---|---|---|---|---|--|---|
|  |  |  |  |  |  |  |
| <b>x1</b>   | <b>x1</b>   | <b>x5</b>   | <b>x3</b>   | <b>x1</b>   | <b>x1</b>  | <b>x2</b>   |

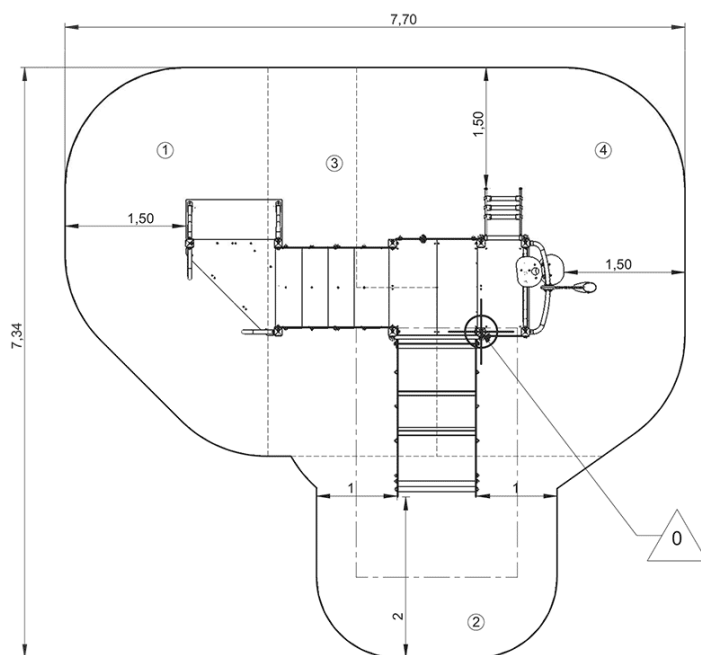


- ① Gutter HT: 1.37m
- ② Grue H : 1,37 m
- ③ Rectangular platform
- ④ Rope ladder H: 1.37m
- ⑤ The Pachinko Play Panel
- ⑥ Toboggan large HT : 1,17 m

## Installation of equipment

Impact area =

- Impact area
- Free space



| 1 | 0,6m  | 10m <sup>2</sup>  |
|---|-------|-------------------|
| 2 | 1m    | 7,5m <sup>2</sup> |
| 3 | 1,17m | 7,5m <sup>2</sup> |
| 4 | 1,37m | 17m <sup>2</sup>  |



2



19h00



0.4m<sup>3</sup>



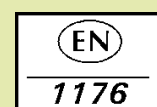
42m<sup>2</sup>



540kg



41kg



*Proludic*

0000-00-00