

5 11 027 0111 0

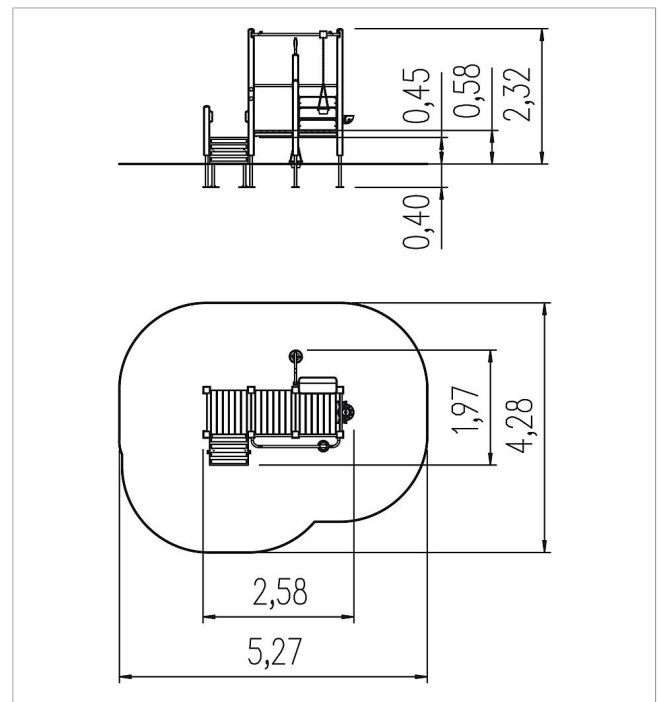
playo sand and mud play unit Lara

made in germany



Scope of delivery

8x post construction: SW
8x post shoe: steel galvanised
3x platform construction: SW
3x walk-through protection leaf: stainless steel
1x set of grips: aluminium, plastic coated
1x overhead conveyor: stainless steel, rubber
1x ramp: HPL, SW
1x sand lift: stainless steel, rubber
1x sand slide: HPL
1x sand sieve: stainless steel
fittings: stainless steel



	Material	SW pi
	Foundation level	FL 1
	Minimum space	527x428x238 cm
	Free falling height	58 cm
	Impact protection net	19,5 m ²
	Foundations	9x CF or 9x PFs