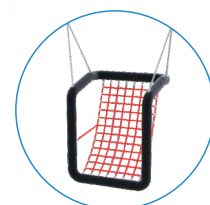


SWINGING



SOCIALIZING

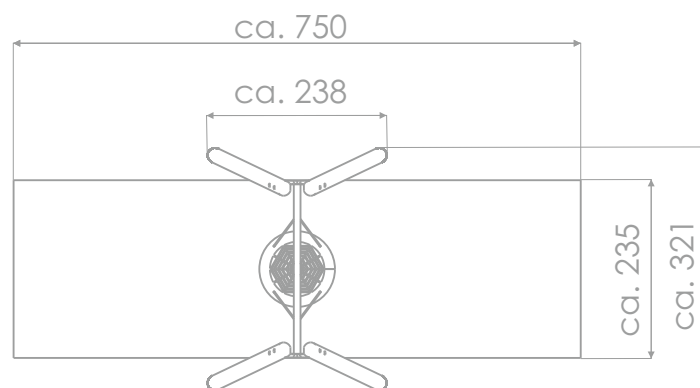
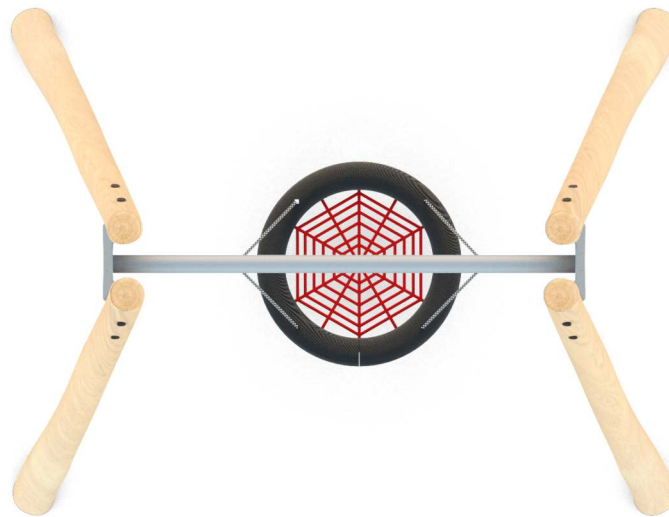


INFORMATION ABOUT THE PRODUCT

| | |
|---|------------------|
| Dimensions | ca. 238 x 321 cm |
| Safety zone | ca.750 x 235 cm |
| Overall height | ca.248 cm |
| Free fall height | ca.137 cm |
| Amount of users | 2 osoby |
| Product complies with EN 1176-1:2017-12 | TAK |
| Availability of spare parts | TAK |
| Age range | 3-12 |
| <small>According to EN 1176-1:2017-12 norm, the product requires applying a safety surface according to the product's free fall height.</small> | |

Visualisation is for reference only,
actual appearance may vary.





SCALE 1:100

MATERIALS:

„BIRD NEST“ TYPE SEAT WITH A DIAMETER OF 100 CM, HANGED ON 6 MM STAINLESS STEEL CHAINS



SWINGS, SLINGS WITH DOUBLE BEARINGS MADE OF STAINLESS STEEL



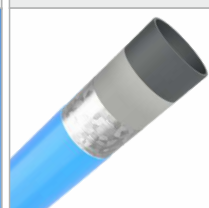
NATURAL ROBINIA WOOD



ATTESTED 6 MM STAINLESS STEEL CHAINS



SOLID CONSTRUCTION MADE OF BLACKSTEEL S235JR, CLEANED IN THE SANDBLASTING PROCESS



OPTIONAL:

APPROVED SEAT – SEAT TYPE – HANGED ON R 6 MM CHAINS MADE OF STAINLESS STEEL. METAL FRAME COVERED BY SOFT POLYPROPYLENE ROPE



APPROVED SEAT MADE WITH ROTOMOULDED METHOD, DEDICATED FOR DISABLED USERS

