



5+



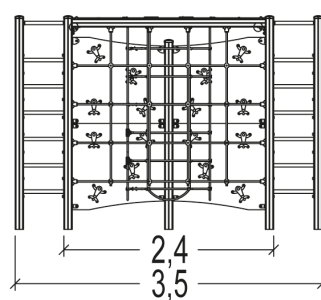
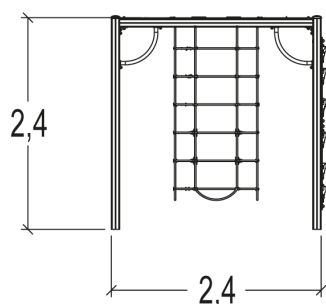
20



2,4m



1 = 3,5m 2 = 2,4m 3 = 2,4m



Play value : 8

climbing



x1

hanging



x1

climbing

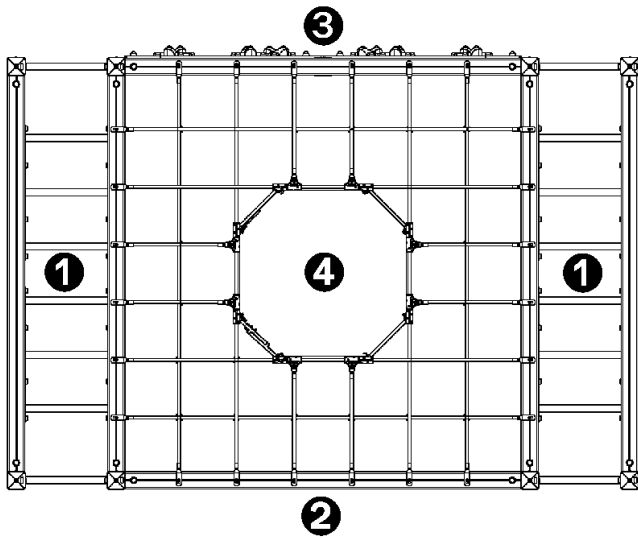


x3

getting across



x3

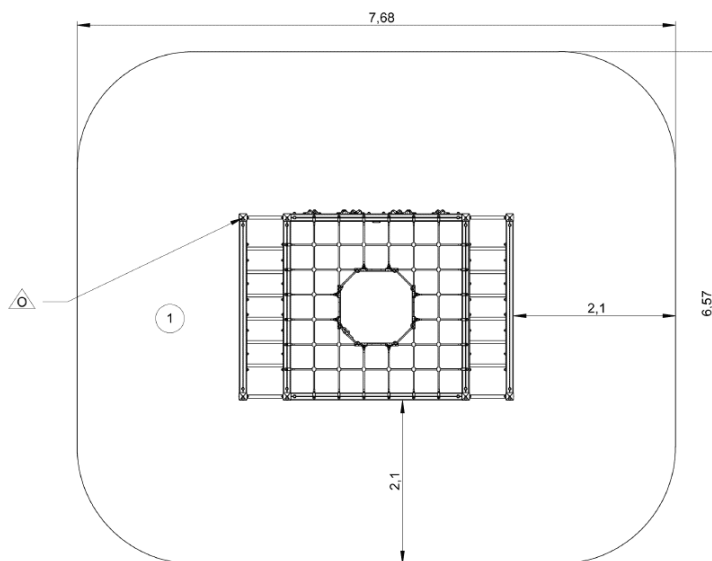




- ❶ Echelle verticale /horizontale
- ❷ Net
- ❸ Climbing wall
- ❹ Filet cheminée

Installation of equipment

Impact area =

-  Impact area
-  Free space



		
1	2,40m	49m ²



2



11h00



0.3m³



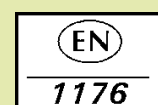
49m²



454kg



20kg



0000-00-00