



SOCIALIZING



CLIMBING



BALANCING



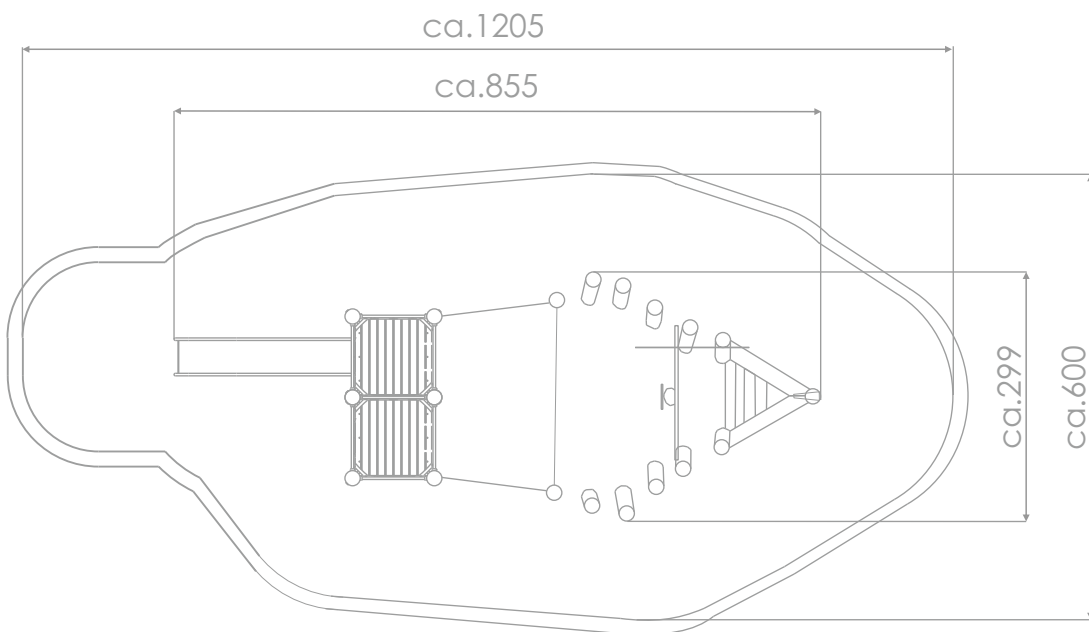
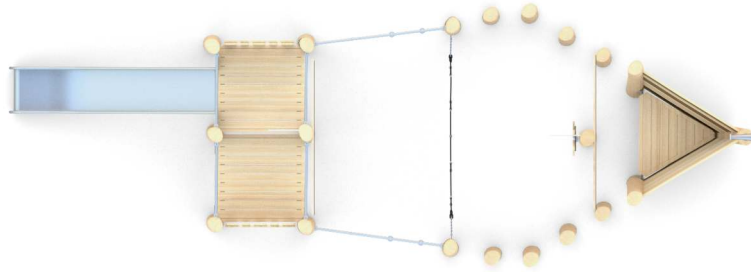
SLIDING

INFORMATION ABOUT THE PRODUCT

Dimensions	ca.299 x 855 cm
Safety zone	ca.600 x 1205 cm
Overall height	ca.480 cm
Free fall height	ca.180 cm
Amount of users	17 persons
Product complies with EN 1176-1:2017-12	YES
Availability of spare parts	YES
Age range	3-12
<small>According to EN 1176-1:2017-12 norm, the product requires applying a safety surface according to the product's free fall height.</small>	

Visualisation is for reference only,
actual appearance may vary.





SCALE 1:100

MATERIALS:

<p>NATURAL ROBINIA WOOD</p>	<p>ELEMENTS CONSTRUCTION MADE OF STAINLESS STEEL AISI 304</p>	<p>SYSTEM OF CONNECTORS AND CLAMPS MADE OF STRONG ALUMINIUM ALLOY.</p>	<p>SLIDES MADE OF STAINLESS STEEL AISI 304</p>	<p>POLYPROPYLENE ROPES PP - MULTISPLIT TYPE WITH A STEEL CORE AND A DIAMETER OF 16 MM</p>	<p>PLATES OF THE WALLS MADE OF GREY TRIPLE LAYERED 15 MM HDPE POLYETHYLENE</p>

