



SOCIALIZING



SLIDING



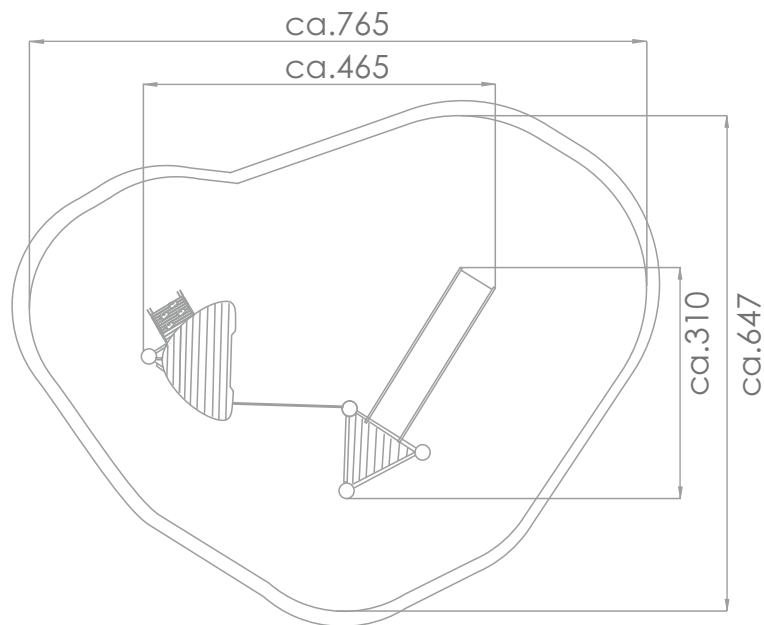
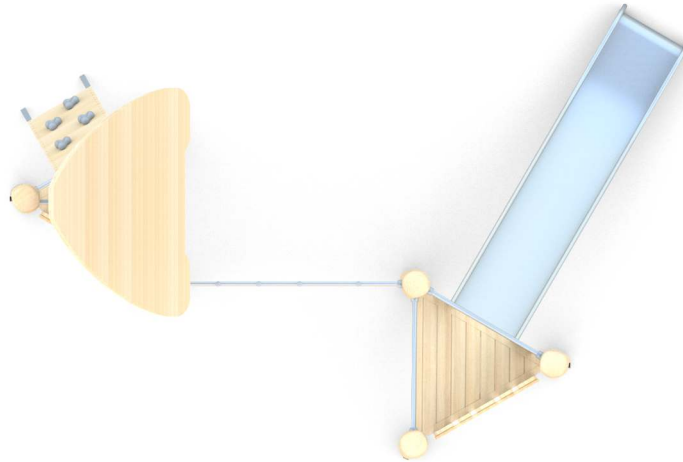
CLIMBING



### INFORMATION ABOUT THE PRODUCT

Dimensions	ca.465 x 310 cm
Safety zone	ca.765 x 647 cm
Overall height	ca.450 cm
Free fall height	ca.150 cm
Amount of users	9 persons
Product complies with PN-EN 1176-1:2017-12	YES
Availability of spare parts	YES
Age range	3-12
<small>According to EN 1176-1:2017-12 norm, the product requires applying a safety surface according to the product's free fall height.</small>	

Visualisation is for reference only,  
actual appearance may vary.



SCALE 1:100

### MATERIALS:

<p>NATURAL ROBINIA WOOD</p>	<p>ELEMENTS CONSTRUCTION MADE OF STAINLESS STEEL AISI 304</p>	<p>SLIDES MADE OF STAINLESS STEEL AISI 304</p>

<p>CLIMBING ROCKS MADE OF CHIPPINGS AND COLOURFUL POLYESTER RESIN</p>	<p>POLYPROPYLENE ROPES PP - MULTISPLIT TYPE WITH A STEEL CORE AND A DIAMETER OF 16 MM</p>	<p>ROPE ENDINGS PRESSED IN A SLEEVE MADE OF DURABLE ALUMINUM ALLOY</p>	<p>SOLID AND ESTHETIC ROPE CONNECTORS MADE OF INJECTION MOLDED POLYAMIDE</p>