

# 1127



SLIDING



SOCIALIZING



CLIMBING



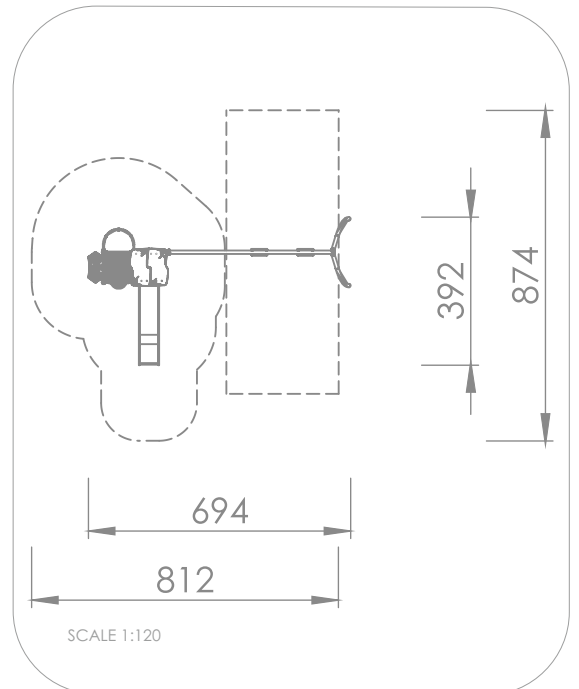
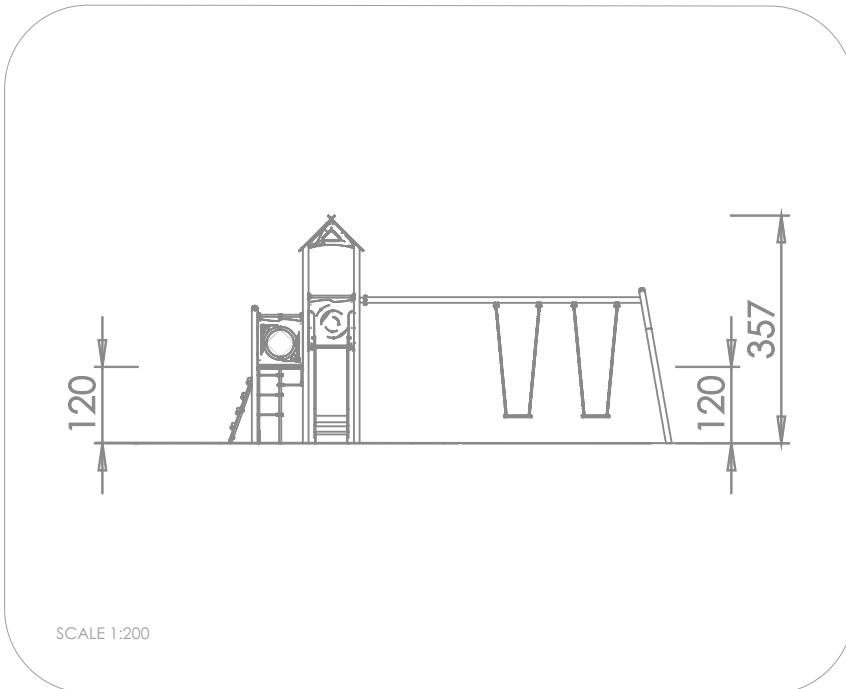
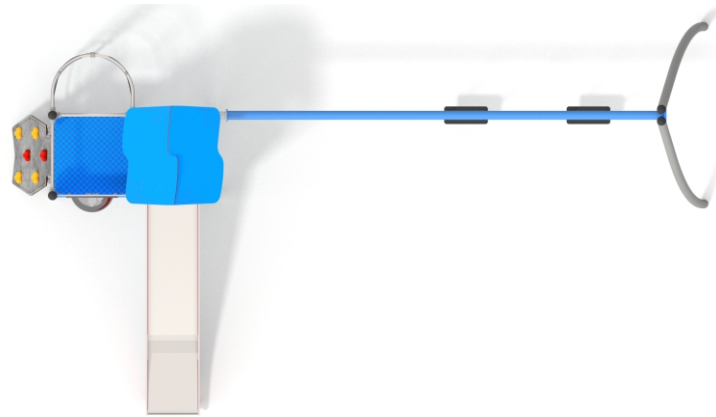
SENSORIAL INTEGRATION

### INFORMATION ABOUT THE PRODUCT

Dimensions	392 x 694 cm
Safety zone	874 x 812 cm
Safety zone area	50 m <sup>2</sup>
Overall height	357 cm
Free fall height	204 cm
Amount of users	10
Product complies with EN 1176-1:2017-12	YES
Availability of spare parts	YES
Age range	3-12
According to EN 1176-1:2017-12 norm, the product requires applying a safety surface according to the product's free fall height.	



### 1127



#### MATERIALS:

CONSTRUCTION ELEMENTS MADE OF STAINLESS AISI 304	PLATES OF THE WALLS MADE OF COLOURFUL TRIPLE LAYERED 15 MM HDPE POLYETHYLENE, IN THE HIGHEST QUALITY	ANTI-SLIP BLUE 13 MM HPL PLATFORM PLATE SERIES: ACTIV	PLATE AND ROPE CONNECTORS MADE OF INJECTION MOLDED POLYAMIDE	THE SEATS ARE MADE WITH AN ALUMINUM CONSTRUCTION COVERED WITH A SOFT EPDM RUBBER	HEMISPHERIC WINDOW WITH A DIAMETER OF 400 MM, MADE OF HEAT-FORMED POLYCARBONATE 5 MM	SOLID CONSTRUCTION MADE BLACK STEEL S235JR CLEANED IN THE SANDBLASTING PROCESS
PLATES OF THE WALLS AND PLATFORMS MADE OF COLOURFUL 13 MM HPL IN THE HIGHEST QUALITY	SLIDES MADE OF STAINLESS STEEL AISI 304, SIDE PANELS MADE OF HDPE POLYETHYLENE	SOLID AND ESTHETIC ROPE CONNECTORS MADE OF INJECTION MOLDED POLYAMIDE	ROPE ENDINGS PRESSED IN A SLEEVE MADE OF DURABLE ALUMINUM ALLOY	POLYPROPYLENE ROPES PPMULTISPLIT TYPE WITH A STEEL CORE AND A DIAMETER OF 16 MM	SWINGS SLINGS, WITH DOUBLE BEARINGS, MADE OF STAINLESS STEEL	POST ENDINGS FINISHED WITH SOFT EPDM RUBBER

