

SLIDING



SOCIALIZING



CLIMBING



JUMPING

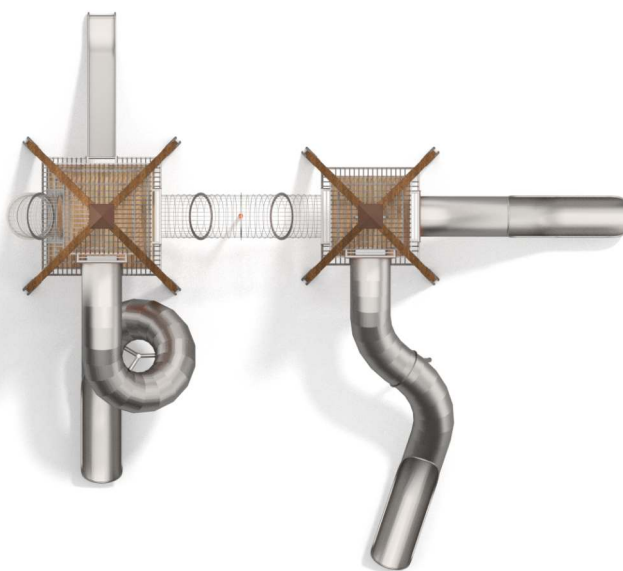


BALANCING

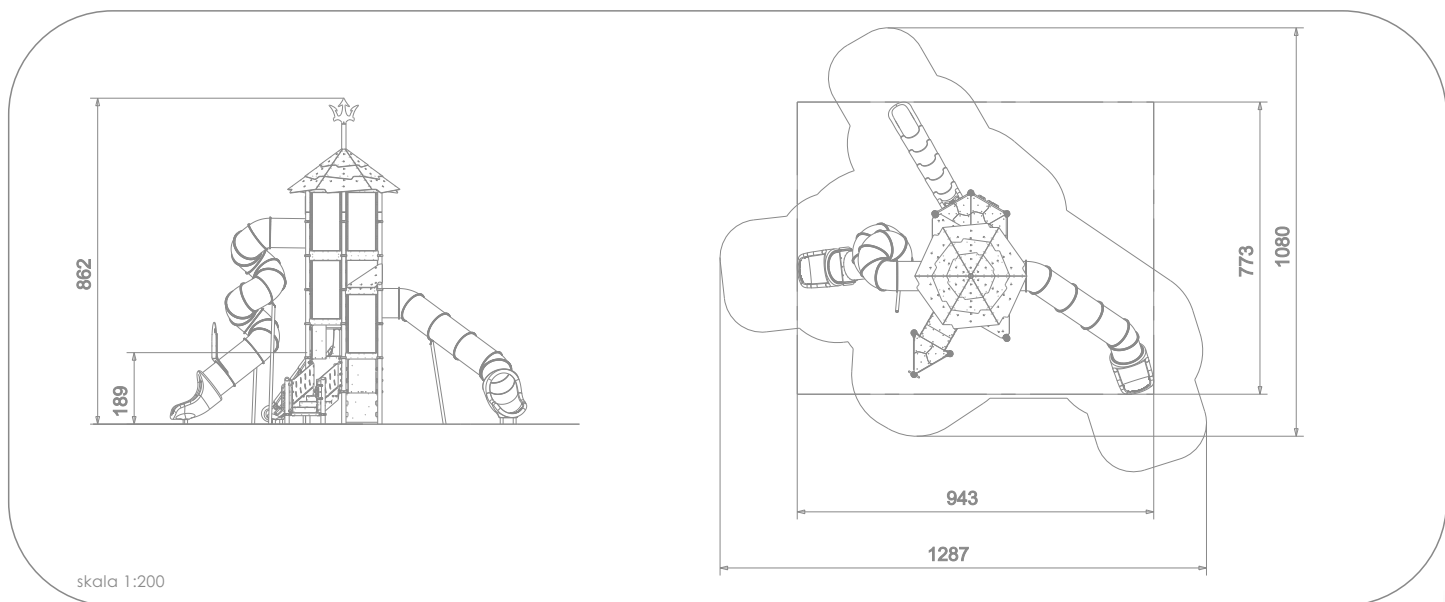
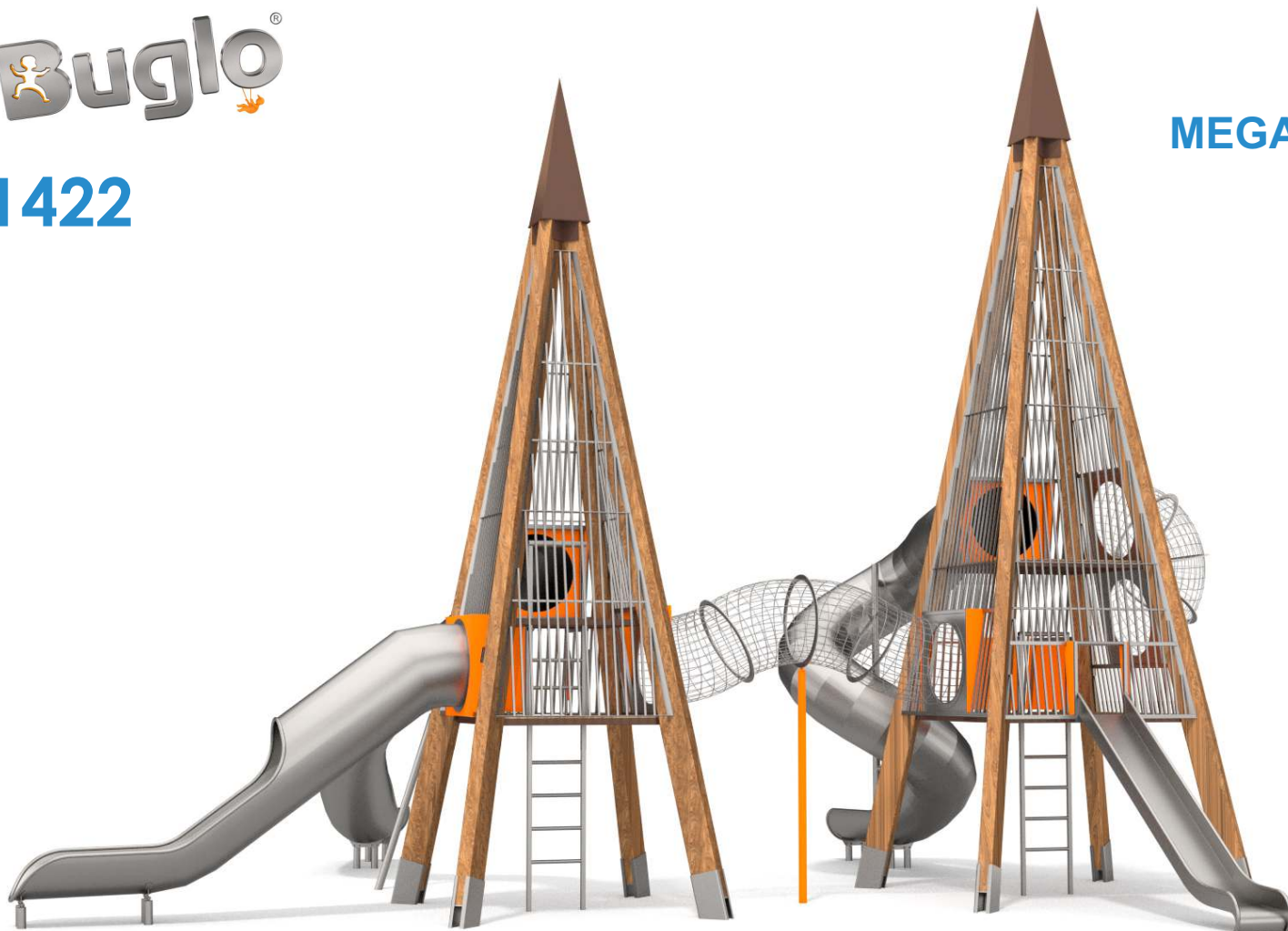
INFORMATION ABOUT THE PRODUCT

Dimensions	943 x 773 cm
Safety zone	1287 x 1080 cm
Safety zone area	78,6 m ²
Overall height	862 cm
Free fall height	189 cm
Amount of users	42
Product complies with EN 1176-1:2017-12	YES
Availability of spare parts	YES
Age range	3-12

According to EN 1176-1:2017-12 norm, the product requires applying a safety surface according to the product's free fall height.



1422



MATERIALS:

WOODEN CONSTRUCTION: Conifer wood glued in layers with polyurethane glues. Wood posts processed in three-phased impregnation process. Anchors powder galvanized.

Solid construction made of stainless steel AISI 304.

PANELS: HDPE 15 MM

PLATFORM: STEEL SHEET GALVANIZED AND COVERED WITH POWDER COATING PAINT + 10 MM HPL

ŚLIZG TUBOWY I OTWARTY ZE STALI NIERDZEWNEJ AISI304.

STRUCTURAL ELEMENTS: made of black steel protected against corrosion by galvanizing and powder coating with polyester paint QUALICOAT attested.

