



14+



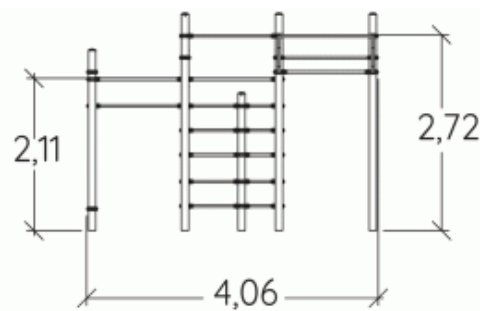
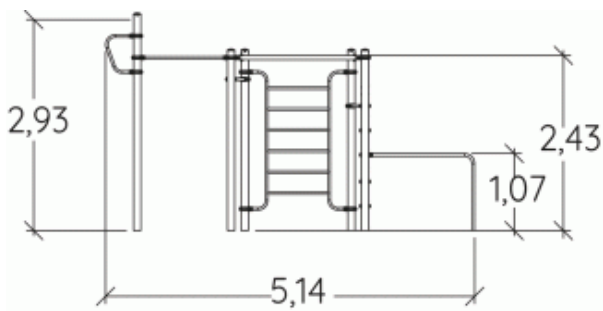
14



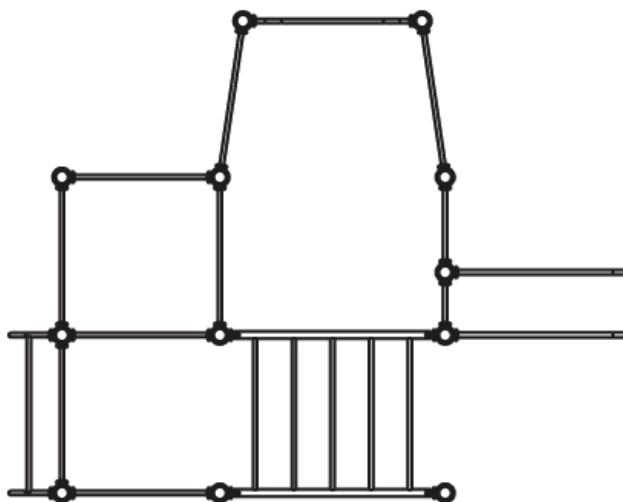
2m



1 = 5,14m
2 = 4,06m
3 = 3,02m



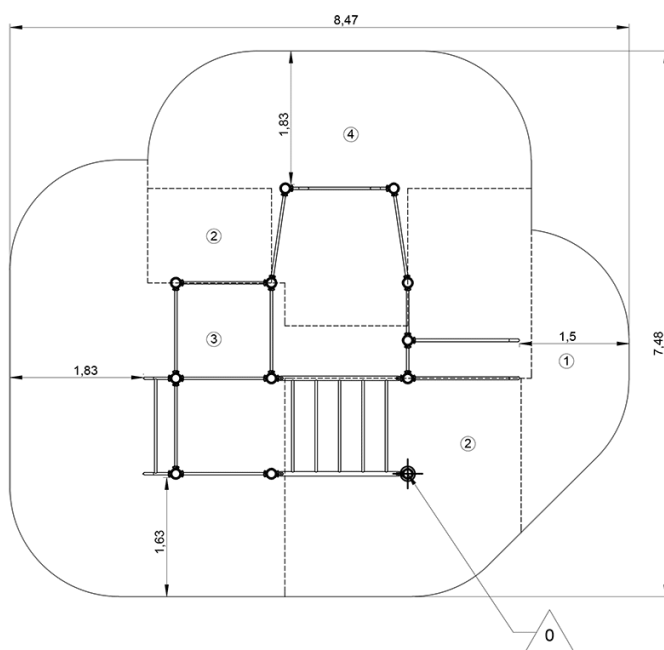
Components



Installation of equipment

Impact area =

— Impact area
- - - Free space



| | | |
|---|------|--------------------|
| 1 | 1,1m | 4,5m ² |
| 2 | 1,4m | 11,5m ² |
| 3 | 1,7m | 24m ² |
| 4 | 2m | 12,5m ² |



3

07h00

2.5m³

52.5m²

422kg

28kg



EN

16 630