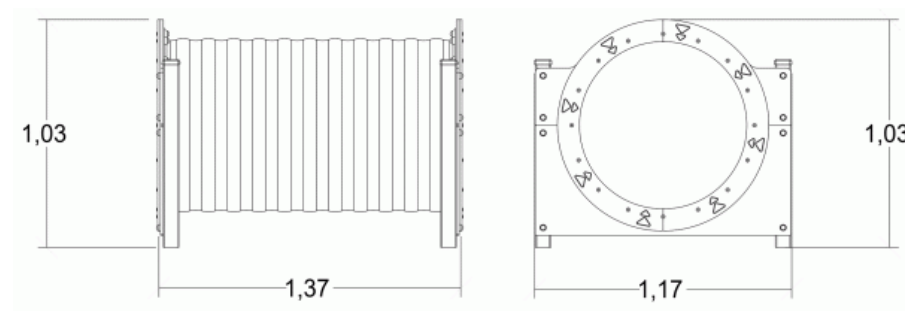
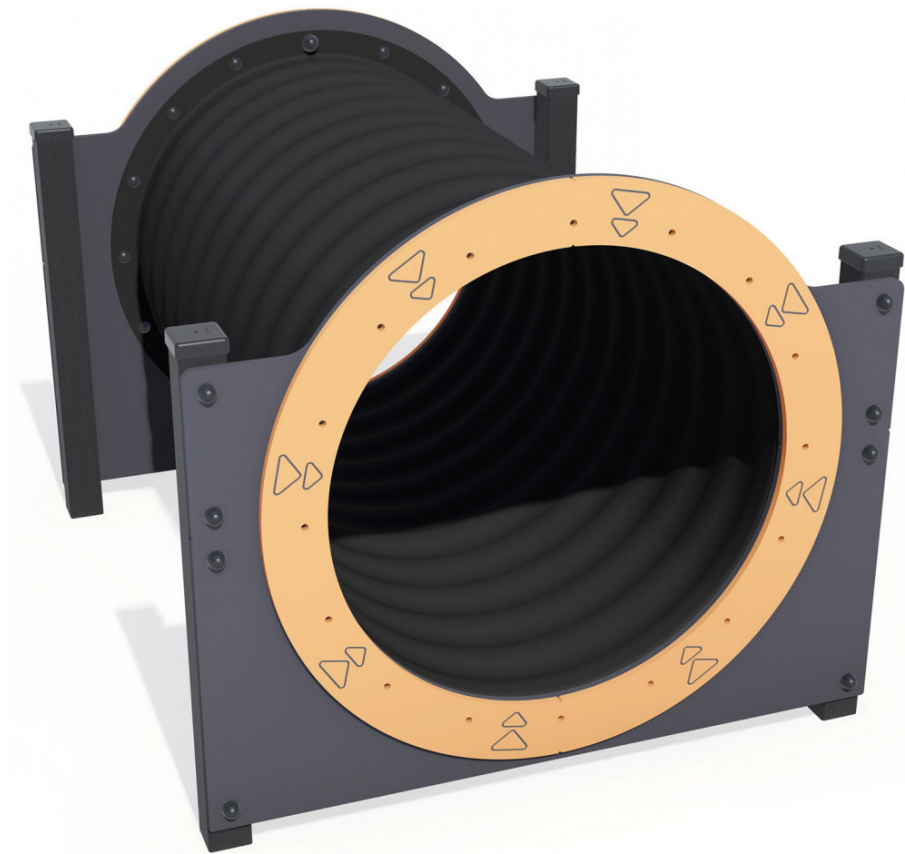
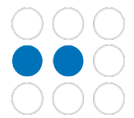


6+ 1 0,6m

1 = 1,38m
2 = 1,16m
3 = 1,04m



Motor inclusion
Sensory inclusion
Mental inclusion



Play value : 2

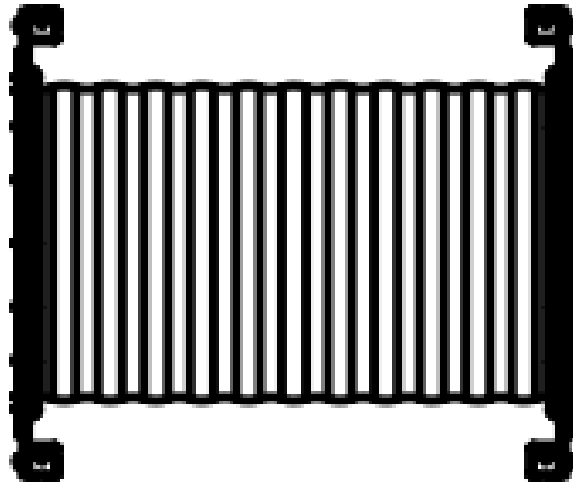
crawling getting across



x1

x1

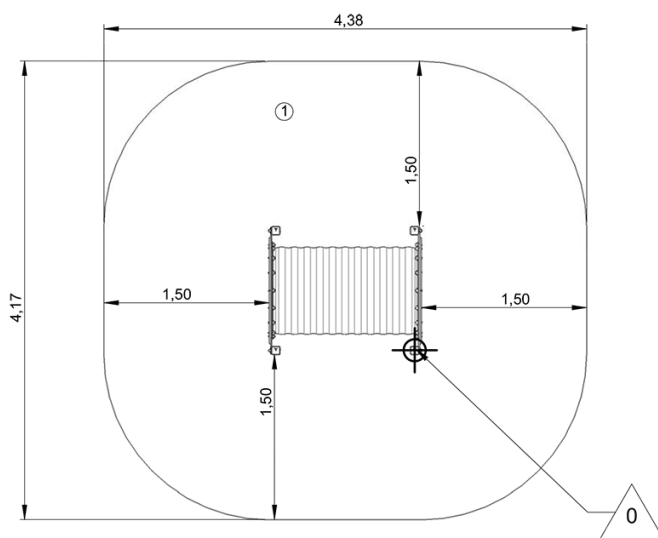
Components



Installation of equipment

Impact area =

- Impact area
- Free space



1	0,6m
	16,5m ²



2

01h00

0.11m³

16.5m²

82kg

16kg

