


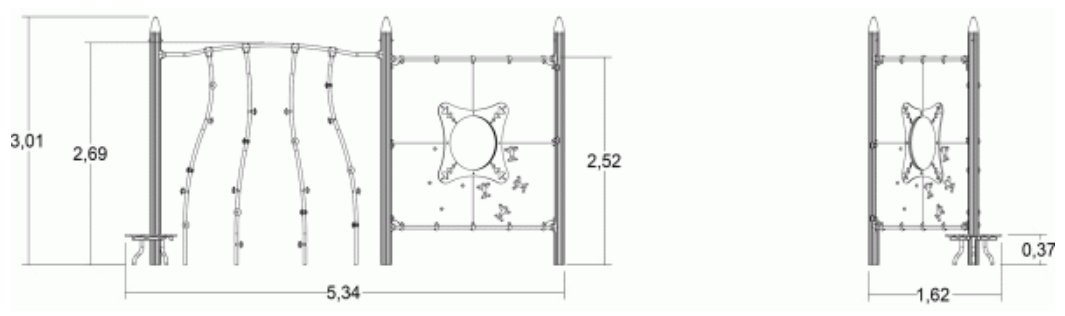
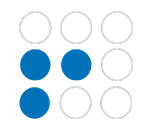

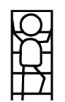

 6+
  7
  2,7m
 
 1 = 5,34m  
 2 = 1,61m  
 3 = 3,01m



Motor inclusion  
 Sensory inclusion  
 Mental inclusion



**Play value :** **8**

climbing	climbing	getting across
		
x5	x1	x2

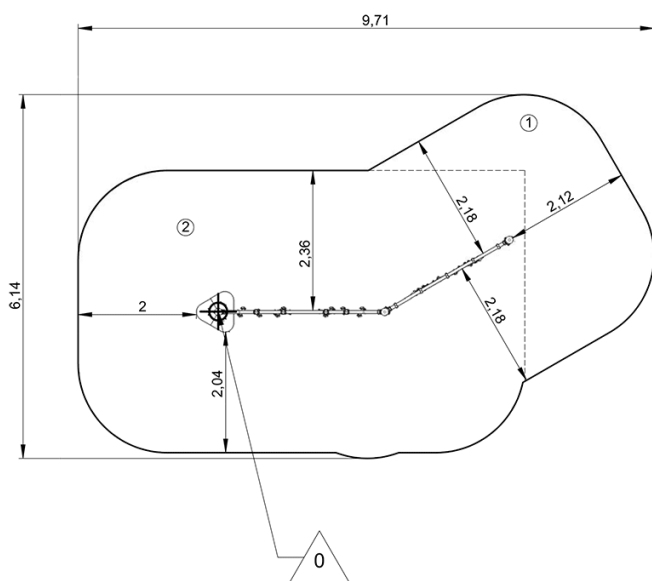
## Components



## Installation of equipment

Impact area =

- Impact area
- Free space



1	2,52m	9,5m <sup>2</sup>
2	2,7m	34,5m <sup>2</sup>



2

04h00

0.85m<sup>3</sup>

44m<sup>2</sup>

245kg

25kg

