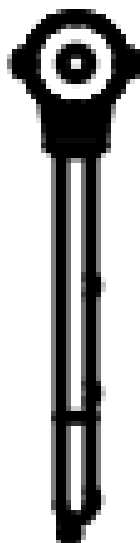


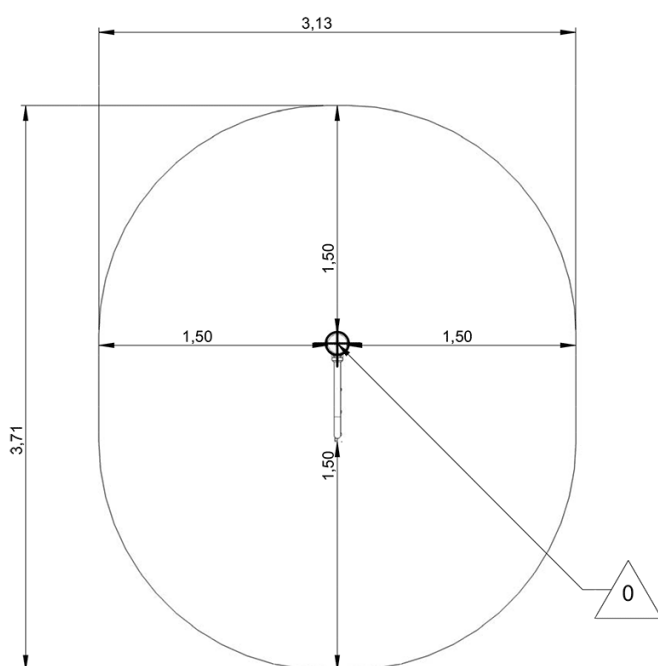
Components



Installation of equipment

Impact area =

- Impact area
- Free space



1	 <0,6m	 10m ²
---	-----------	----------------------



2



01h00



0.05m³



10m²



12kg



7kg

