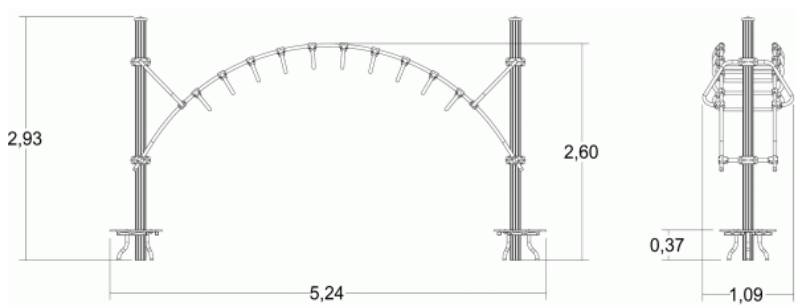
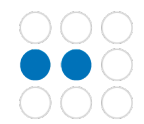


8+ 4 2,4m

- 1 = 5,24m
- 2 = 1,07m
- 3 = 2,93m



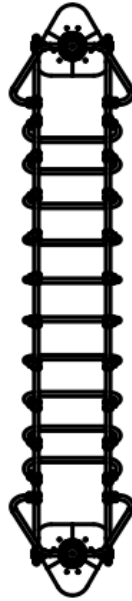
Motor inclusion  
Sensory inclusion  
Mental inclusion



Play value : 2

hanging x1 getting across x1

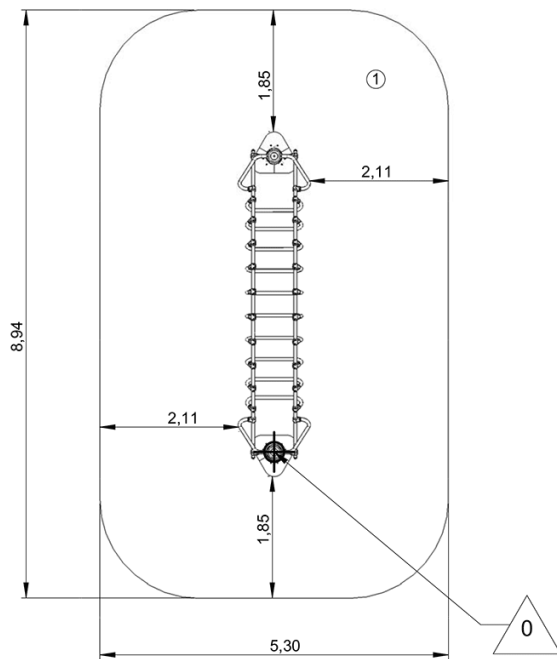
## Components



## Installation of equipment

Impact area =

- Impact area
- Free space



1	 2,4m	 45,5m <sup>2</sup>
---	----------	------------------------



2

02h00

0.5m<sup>3</sup>

45.5m<sup>2</sup>

134kg

54kg

