
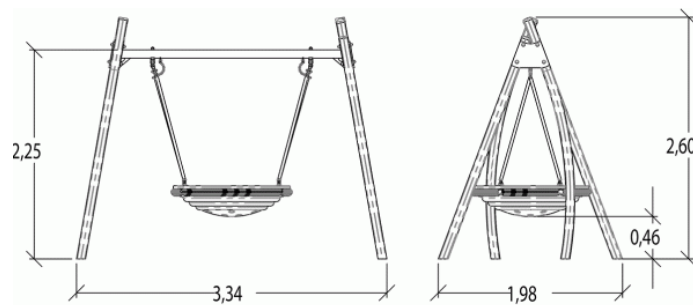


**2+**      **5**      **1,46m**


  
 1 = 3,34m  
 2 = 1,98m  
 3 = 2,6m



Motor inclusion  
 Sensory inclusion  
 Mental inclusion



**Play value :**      **3**

meeting



x1

resting



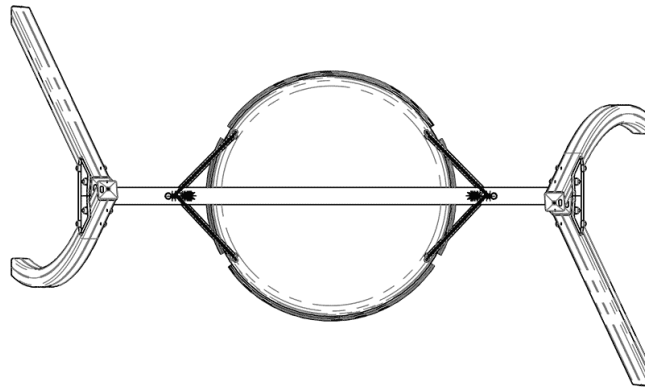
x1

swinging



x1

## Components



## Installation of equipment

Impact area =

 Impact area  
 Free space



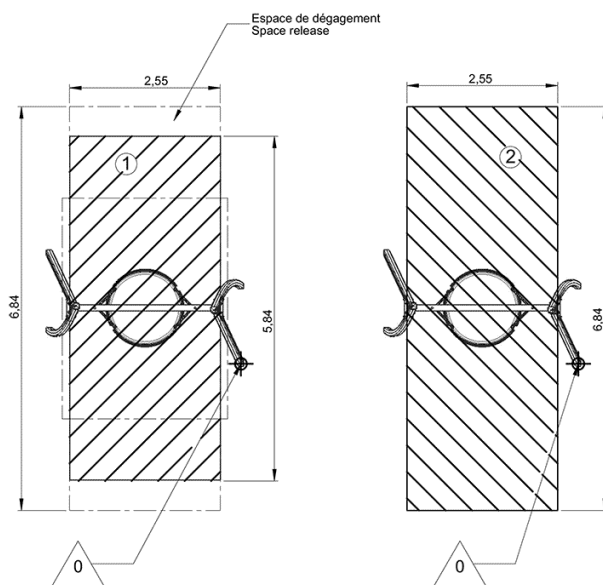
Zone d'Impact Sol souple  
Impact Area Wetpour  
Area de Impacto  
Fallraum bei synthetischem Fallschutz



Zone d'Impact Sol fluent  
Impact Area Loose particle material  
Arenero  
Fallraum bei losem Bodenmaterial



1	1,46m	15m <sup>2</sup>
2	1,46m	17,5m <sup>2</sup>



2

01h30

0.11m<sup>3</sup>

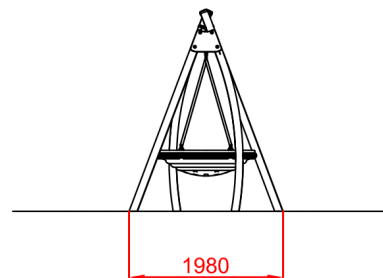
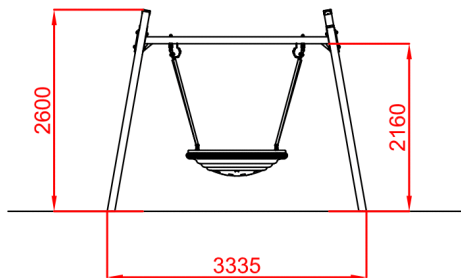
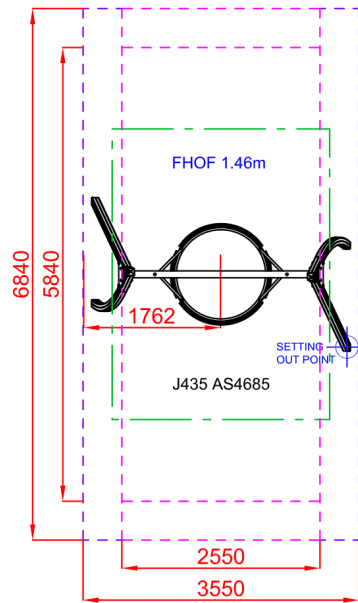
15m<sup>2</sup>

163kg

33kg



Variations to EN 1176-2 : 2017 to take account of Australian conditions.  
 AS 4685.2 : 2021 modifications as specified in Appendix ZZ



**NOTES**

IMPACT AREA : Minimum safety surfacing required according to AS4685 : 2021

EXTENTS: Smaller impact area: Solid fill material ie synthetic  
 Larger impact area: Loose fill material

The extents of the largest impact area, regardless of surfacing type proposed is to be free from obstacles.

CIRCULATION AREA : Includes the fall zones of the equipment and extends to at least the width of the equipment. The area around the equipment shall be free of all obstacles that users could run into, trip on or fall on top of, and therefore be injured.

The minimum ground clearance at rest position shall be 400mm (except for SECS where minimum ground clearance is 300mm).

- Impact Area AS4685 : 2021
- Free Space
- Circulation Area



Equipment Plan : AS4685 - 2021

Date: 16-04-2021

Drawn By: JR

Impact Area: solid 15m<sup>2</sup> / loose fill 17.5m<sup>2</sup>

Maximum Free Height Of Fall: 1.46m



1300 800 181  
 www.proludic.com.au