


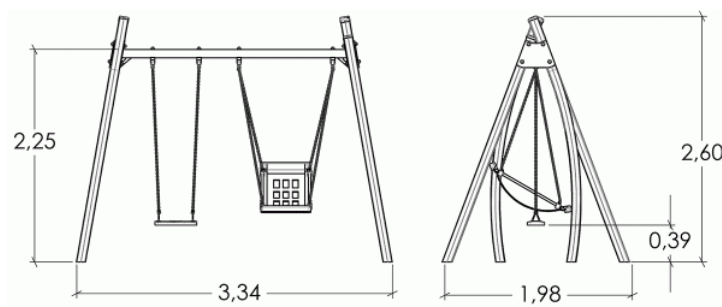
 **2+**
 **2**
 **1,37m**



 1 = 3,34m
 2 = 1,98m
 3 = 2,6m



Motor inclusion
 Sensory inclusion
 Mental inclusion



Play value : **4**

meeting



x1

resting



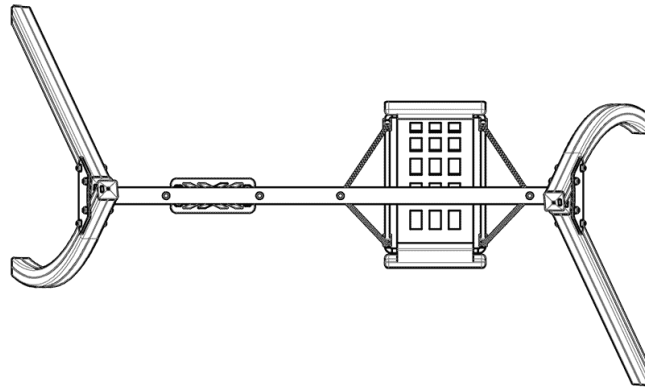
x1

swinging



x2

Components



Installation of equipment

Impact area =

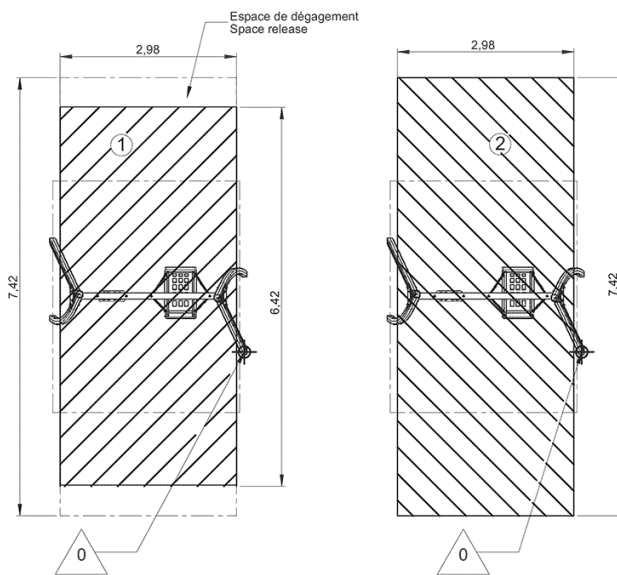
— Impact area
- - - Free space



Zone d'Impact Sol souple
Impact Area Wetpour
Area de Impacto
Fallraum bei synthetischem Fallschutz



Zone d'Impact Sol fluide
Impact Area Loose particle material
Arenero
Fallraum bei losem Bodenmaterial



1	1,37m	19,5m ²
2	1,37m	22,5m ²



2

1h30

0.11m³

19.5m²

150kg

28kg

EN

1176