


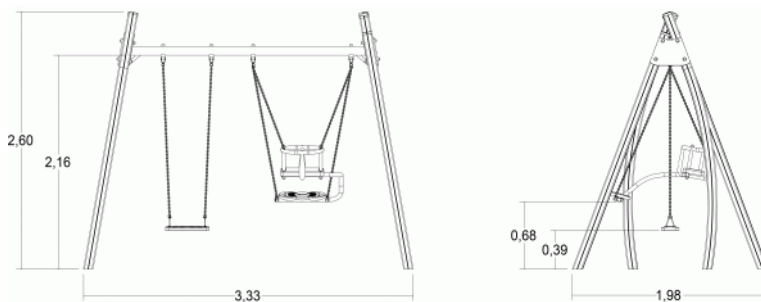
 **1+**
 **2**
 **1,37m**


 1 = 3,3m
 2 = 2m
 3 = 2,6m



Motor inclusion
 Sensory inclusion
 Mental inclusion



Play value : **7**

meeting



x1

resting



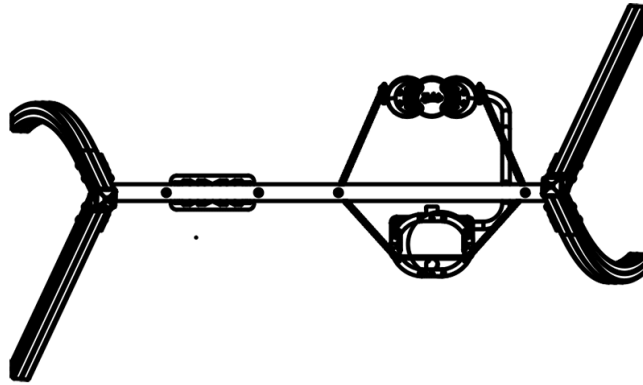
x3

swinging



x3

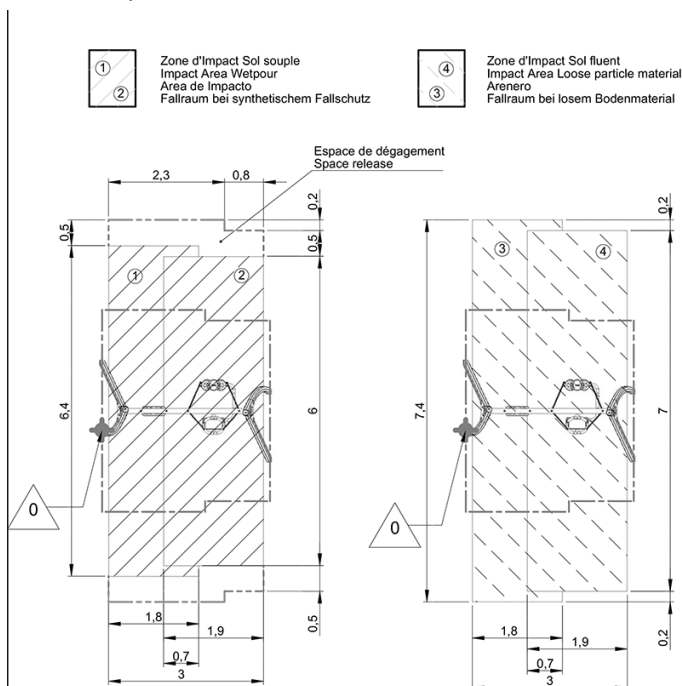
Components





Installation of equipment

Impact area =

 Impact area
 Free space



		
1	1,2m	7,14m ²
2	1,39m	11,66m ²
3	1,2m	8,21m ²
4	1,39m	13,6m ²



2

02h00

0.11m³

18.8m²

144kg

28kg

